



PTO DRIVEN - GRASS COLLECTION SYSTEM

**Dixie Chopper
BlackHawk / HP**

&

**Jacobsen
ZT400 & ZT600**

Pro 2B+ Model # **38120905**

Pro 3B Model # **38131508**

Model Year: **2016 - Newer**

Deck Sizes: **48", 54" & 60"**



OPERATOR'S MANUAL

ASSEMBLY • OPERATION • MAINTENANCE

GRASS COLLECTION SYSTEM

TABLE OF CONTENTS

SECTION	PAGE	SECTION	PAGE
Safety	2	Hinge Kit Assy Installation	19
Safety Alert Symbols	3	Even Bag Fill Adjustment	19
Warranty	4	Length of Hose Adjustment	20
I INTRODUCTION AND DESCRIPTION	5	Upper Hose Installation	20
Introduction	5	Lower Hose To Blower Cone Installation	20
Description	5	Lower Hose To Boot Installation	20
II INSTALLATION FOR USE	6	Bag Assy	21
Preparation Of Mower	6	Bag Assy Installation	21
Left Mount Plate Installation	7	Impeller Blade Removal/Replacement	22
Right Mount Plate Installation	8	Weight Kit Installation	23
Rear Mount Plate Installation	9	Exploded Views & Parts List	24-30
PTO Mount Installation	10	Overall Parts List	31-32
PTO Stop Plate Installation	11	Safety Decals	33
Exhaust Diverter Installation	11	III OPERATING INSTRUCTIONS	34
PTO Assy & Handle Assy Installation	12	General Safety	34
Belt Installation & Adjustment	13	Operation & Tips On Mowing	34
Cam Assy Adjustment	14	Disengagement Of The PTO Assembly	34
Blower Cone Installation	14	Unloading The Collection System	34
Boot Kit Installation	15	IV MAINTENANCE	34-35
Lower Mount Tube Installation	16	Maintenance Checklist	34
Upper Frame Assy Installation	17	Lubrication	35
Top Assy To Upper Frame Assy Installation	18	V PARTS AND SERVICE	35
Inlet Installation	18	Parts And Service Information	35
		Torque Specifications	36
		Troubleshooting	37

SAFETY

1. Read the operator's manual carefully and familiarize yourself with the proper use of your attachment. Do not allow anyone who is not acquainted with the Safety Instructions to use your attachment.
2. Know the controls and how to stop them quickly. READ THE OPERATOR'S MANUAL!
3. Do not allow children to operate the machine. Do not allow adults to operate it without proper instruction.
4. Be especially watchful of children and pets entering into the area while operating.
5. Keep your eyes and mind on your machine while mowing or operating your attachment. Don't let others distract you.
6. Do not attempt to operate your machine when not in the driver's seat.
7. Always shut off blades and engine when emptying the container.
8. Stop machine, shut off deck attachment, set parking brake, shut off engine and remove ignition key before removing clogs, removing or replacing hose, boot, blower cone, or performing any maintenance.
9. Mow across the face of slopes (not more than 10 degrees); never up and down the face.
10. It is recommended that the container be emptied when half full while operating on slopes. Start mowing on slopes when the container is empty.
11. Inspect your lawn and remove any foreign objects before mowing. Never deliberately run the mower across any foreign object.
12. Wear hearing protection.
13. Wear eye protection to prevent debris from getting into your eyes.

SAFETY

WARNING! NEVER operate the mower unless the discharge guard and either the deflector assembly or the vacuum collector adapter are fastened securely in place.

WARNING! Do not work around the mower deck boot or the blower area until you are certain that the mower blades and the blower impeller have stopped rotating.

WARNING! To avoid serious injury, perform maintenance on the vacuum collector; **ONLY AFTER STOPPING THE MOWER'S ENGINE AND WAITING FOR ALL MOVING PARTS TO COME TO A COMPLETE STOP.** Set the parking brake. Always remove the ignition key before beginning maintenance.

WARNING! For your own personal safety, **ALWAYS mow ACROSS the face of slopes and NEVER UP and DOWN the face. NEVER attempt to mow excessively steep slopes, and use caution when turning on any slope.**

Safety Alert Symbol



This Safety Alert Symbol means: **“ATTENTION! BECOME ALERT! YOUR SAFETY IS INVOLVED!”**

This symbol is used to call attention to safety precautions that should be followed by the operator to avoid accidents. When you see this symbol, carefully read the message that follows and heed its advice. Failure to comply with safety precautions could result in death or serious bodily injury.

Safety Signs

The signal words **DANGER**, **WARNING**, and **CAUTION** are used on the equipment safety signs. These words are intended to alert the viewer to the existence and the degree of hazard seriousness.



White letters on **RED**

This signal word indicates a potentially hazardous situation which, if not avoided, will result in death or serious injury.



Black letters on **ORANGE**

This signal word indicates a potentially hazardous situation which, if not avoided, could result in death or serious injury.

It may also be used to alert against unsafe practices.



Black letters on **YELLOW**

This signal word indicates a potentially hazardous situation which, if not avoided, will result in minor or moderate injury.

It may also be used to alert against unsafe practices.

PECO LIMITED WARRANTY FOR NEW PRODUCTS

A. WHAT IS UNDER WARRANTY?

PECO extends the following warranties to the original purchaser of each new PECO consumer product subject to the following limitations.

- 1. PRODUCT WARRANTY:** Any part of any consumer product, which is defective in material or workmanship as delivered to the purchaser will be repaired or replaced, as PECO elects, without charge for parts or labor, if the defect appears within 12 months from the date of delivery of the product to the original purchaser. ALL DEFECTIVE PARTS MUST BE RETURNED TO PECO FOR INSPECTION TO DETERMINE VALIDITY OF WARRANTY CLAIMS. Freight and mailing will be borne by the customer.
- 2. PARTS REPLACED DURING WARRANTY:** Any new PECO part which is furnished in performance of this warranty and is defective in material or workmanship as delivered to the purchaser will be repaired or replaced, before the expiration of the original warranty period, whichever is later.
- 3. COMMERCIAL USE:** Products put to personal use around a single household or residence is considered 'Residential'; Products put to any business use (agricultural, commercial, or industrial) or used at multiple locations is considered 'Commercial.' Products designated as 'Commercial' are warrantied for 12 months from the date of delivery of the product to the original purchaser when used for in commercial applications. Products designated as 'Residential' are warrantied for 90 days from the date of delivery of the product to the original purchaser when in commercial applications.

B. SECURING WARRANTY ADJUSTMENTS

Call PECO for Return Authorization. Damaged or broken parts other than engines or batteries, must be returned to New PECO, Inc. at 10 Walden Drive, Arden, NC 28704 before any warranty adjustment can be authorized. At the time of requesting warranty adjustment, the purchaser must present evidence of the date of delivery of the product. The purchaser shall pay any charge for the product to and from Arden, NC.

C. ITEMS NOT COVERED BY PECO WARRANTY

Engines and batteries attached to PECO products are covered under a separate warranty by the respective manufacturer.

D. UNAPPROVED ALTERATION OR MODIFICATION

All obligations of New PECO, Inc. under this warranty shall be terminated if products are altered or modified in ways not approved by New PECO, Inc.

E. ACCIDENTS AND NORMAL MAINTENANCE

The warranty covers only defective material and workmanship. It does not cover depreciation or damage caused by normal wear, accident, improper use or abuse of products. The cost of normal maintenance and normal replacement of service items such as belts, cutting blades, hoses, etc., which are not defective shall be paid for by the purchaser.

F. NO REPRESENTATIONS ADDITIONAL WARRANTIES, DISCLAIMER

Neither New PECO, Inc. nor any company affiliated with it makes any warranties, representations or promises as to the quality of performance of its products other than those set forth herein. Except as described above, New PECO, Inc. makes no other warranties AND SPECIFICALLY DISCLAIMS ANY AND ALL IMPLIED WARRANTIES OF FITNESS AND MERCHANTABILITY.

G. PRODUCTS USED FOR RENTAL OR LEASE PURPOSES ARE WARRANTIED FOR 45 DAYS FROM DATE OF ORIGINAL SALE ONLY

H. REMEDIED EXCLUSIVE

The only remedies the purchaser has in connection with the breach or performance of any warranty on New PECO, Inc. consumer products are set forth above. In no event will PECO be liable for special incidental or consequential damages.

1. NO SERVICE CENTER WARRANTY

The selling Service Center makes no warranty on his own on any item warrantied by New PECO, Inc. unless he delivers to purchaser a separate written warranty certificate specifically warranting the item. The dealer has no authority to make any representation or promise on behalf of PECO or to modify the terms of this warranty in any way.

Section I - INTRODUCTION AND DESCRIPTION

Introduction

We are pleased to have you as a PECO customer. Your collection system has been designed to give you a low maintenance, simple, and effective way to collect the grass clippings from your mower. The manuals are provided to give you the necessary instructions to properly mount, operate and maintain the collection system on your mower. Please read this manual thoroughly. Understand what each control is for and how to use it. Observe all safety decal precautions on the machine and noted throughout the manual.

NOTE: All references made to right, left, front, rear, top or bottom are as viewed from the normal operator's position on the mower.

Description

The grass collection system is designed for turf maintenance where there is a need to collect the grass clippings as the mower cuts the turf. It is also used for picking up leaves in pre-season and post-season clean-up. The blower, mounted on the right side of the unit, uses a belt and gearbox system from the engine PTO shaft. Drive train protection comes through belt slippage. The blower draws grass clippings from the discharge area of the cutting deck back to the collection bags at the rear portion of the mower frame. The operator can engage the blower with a push of the over-center linkage on the right side of the unit. Once the bags are full with clippings, they can be easily released for dumping.



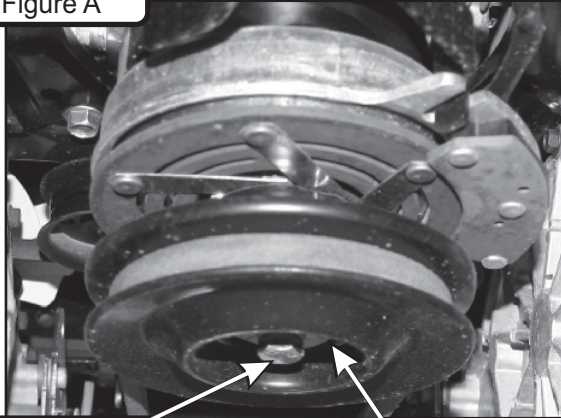
Section II - INSTALLATION FOR USE

Preparation Of Mower

NOTE: The mower deck PTO belt must be removed from the electric clutch before continuing with the installation. Refer to your mower's owner's manual for instructions on PTO belt removal.

From the underside of the engine, disconnect the wiring harness attached to the electric clutch. Remove the bolt and electric clutch from the mower. Refer to Figure A.

Figure A

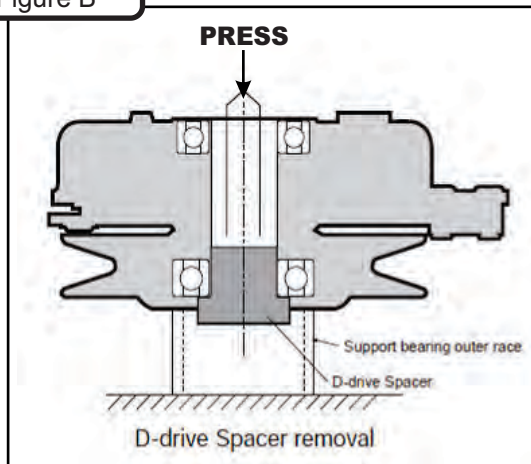


Remove Bolt

D-Drive Spacer

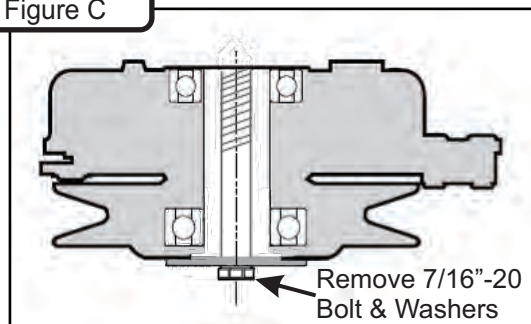
Upon removal of clutch determine if your mower is equipped with a D-drive spacer. If so, then proceed to Figure B. If your mower is equipped with bolt, fender and lock washer without D-drive spacer proceed to Figure C. Remove the D-drive spacer using an arbor press or equivalent. On removal, adjacent bearing OUTER race must be supported or bearing damage may occur. Refer to Figure B.

Figure B



D-drive Spacer removal

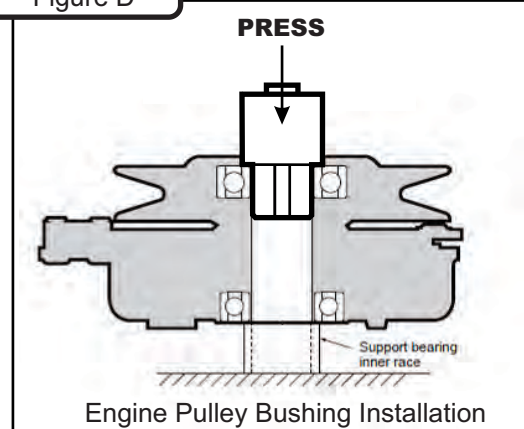
Figure C



Remove 7/16"-20 Bolt & Washers

The engine pulley assembly must be installed using an arbor press or equivalent. During installation, opposite bearing inner race must be supported or bearing damage may occur. Refer to Figure D.

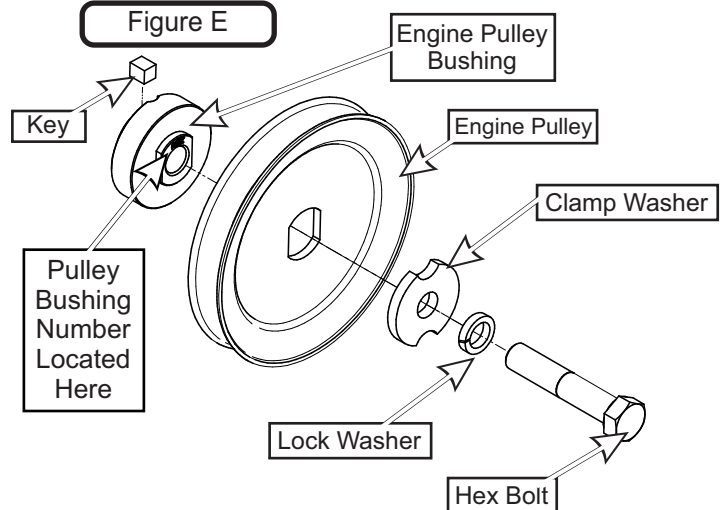
Figure D



Engine Pulley Bushing Installation

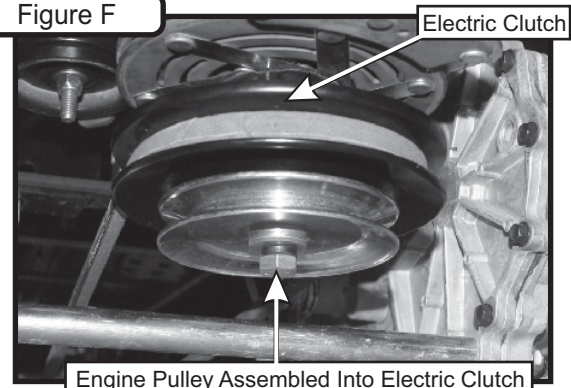
Once the Engine Pulley Bushing is installed, reattach the clutch assembly & deck PTO belt to the mower and then review Figure E.

Figure E



To assemble and fasten the Engine Pulley, align the Engine Pulley Bushing and Key to the mower's clutch pulley and fasten using (1) Clamp Washer, (1) Lock Washer, and (1) Hex Bolt. Torque the bolt to 55 ft./lbs. The added pulley will power the collection system and should resemble Figure F when installed.

Figure F



Engine Pulley Assembled Into Electric Clutch

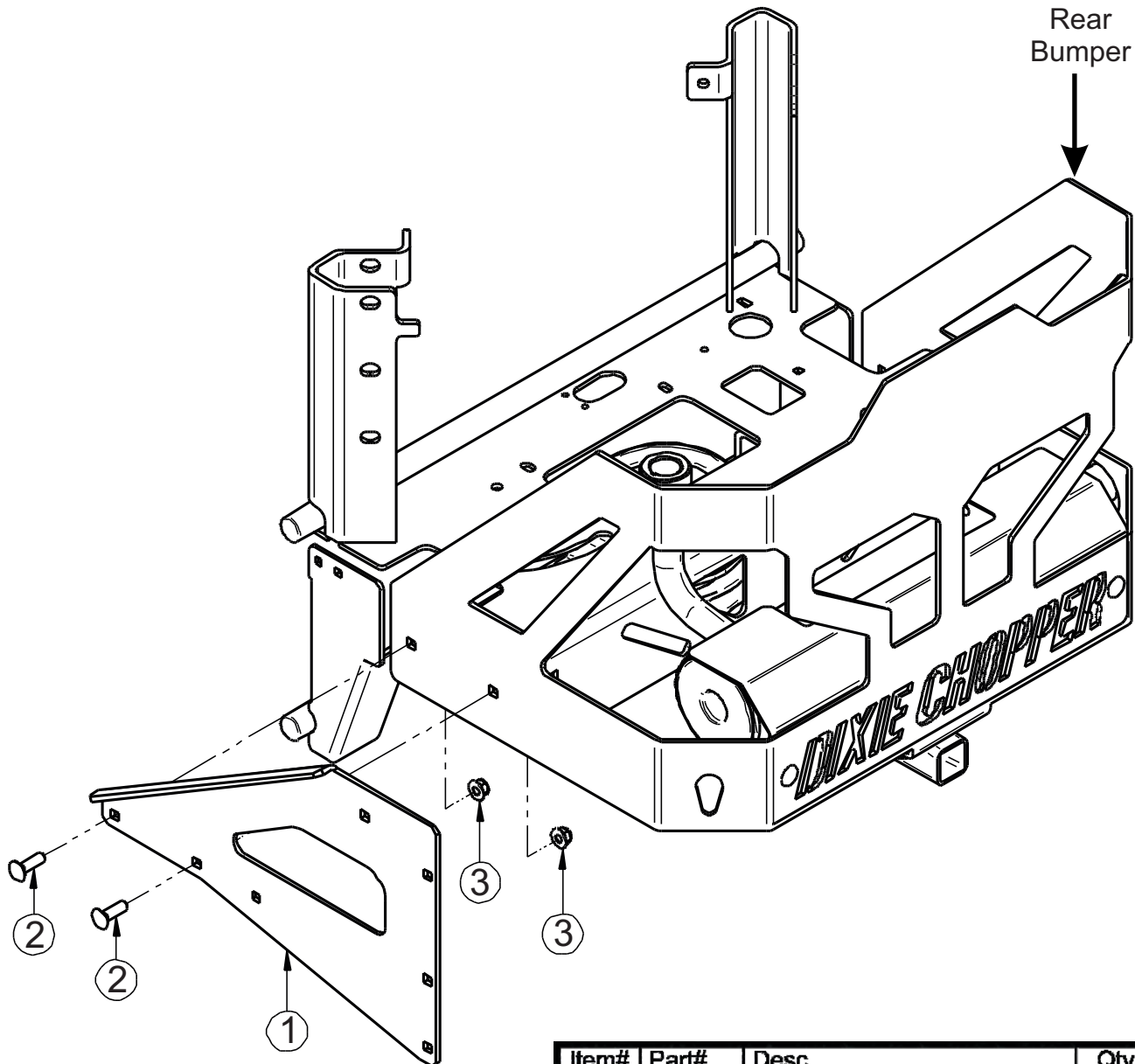
Left Mount Plate Installation

Before installing the Left Mount Plate (Item #1), remove the hardware fastening the lower left side of the mower's rear bumper to reveal (2) bolt holes.

Next, align the bottom (2) left bolt hole of the Left Mount Plate, to the ones on the lower left side of the mower's rear bumper. Secure the Left Mount Plate to mower by using (2) 3/8"-16 x 1-1/4" Carriage Bolts (Item #2) and (2) 3/8-16" Ny-Flange Lock Nuts. Refer to Figure A.

Note: Some part features have been hidden from view for visual clarity.

Figure A



Item#	Part#	Desc.	Qty.
1	B1090	Left Mount Plate	1
2	K1183	Carriage Bolt 3/8"-16x1-1/4"	2
3	K2038	Ny-Flange Lock Nut 3/8"-16	2

Right Mount Plate Installation

Before installing the Right Mount Plate (Item #1), remove the hardware fastening the lower right side of the mower's rear bumper to reveal (2) bolt holes. Then remove the hardware from the lower bolt hole of the right side of the ROPS to reveal (1) bolt hole.

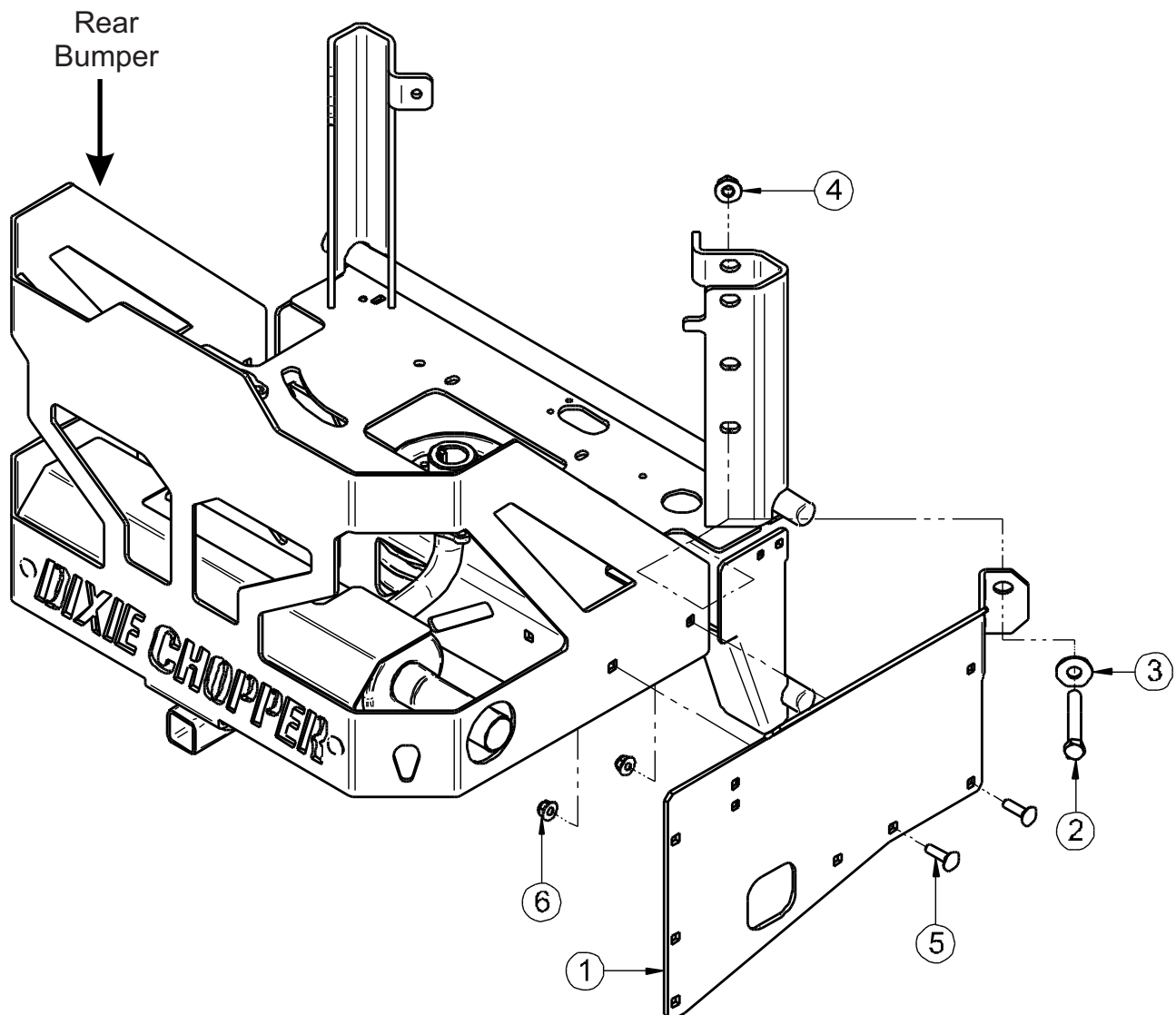
Next, align the bottom (2) right bolt hole of the Right Mount Plate to the ones on the lower left side of the mower's rear bumper and align the top right bolt hole of the Right Mount Plate to the one on the ROPS. Secure the Right Mount Plate to the mower by using (1) 1/2"-13 x 1-1/2" Hex Bolt (Item #2), (1) 1/2" Flat Washer (Item #3), (1) 1/2"-13 Flange Nut (Item #4), (2) 3/8"-16 x 1-1/4" Carriage Bolts (Item #5) and (2) 3/8"-16 Ny-Flange Lock Nuts (Item #6). Refer to Figure A.

Leave the (2) 3/8"-16 x 1-1/4" Carriage Bolt and (2) 3/8"-16 Ny-Flange Lock Nuts relatively loose for the installation of the PTO Mount.

Note: Some part features have been hidden from view for visual clarity.

Item#	Part#	Desc.	Qty.
1	B1081	Right Mount Plate	1
2	K1233	1/2"-13 x 1-1/2" HHCSGR5	1
3	K0055	Flat Washer 1/2" 1.3830Dx.560IDx.120T	1
4	K1246	Flange Nut 1/2"-13	1
5	K1183	Carriage Bolt 3/8"-16x1-1/4"	2
6	K2038	Ny-Flange Lock Nut 3/8"-16	2

Figure A



Rear Mount Kit Assembly Installation

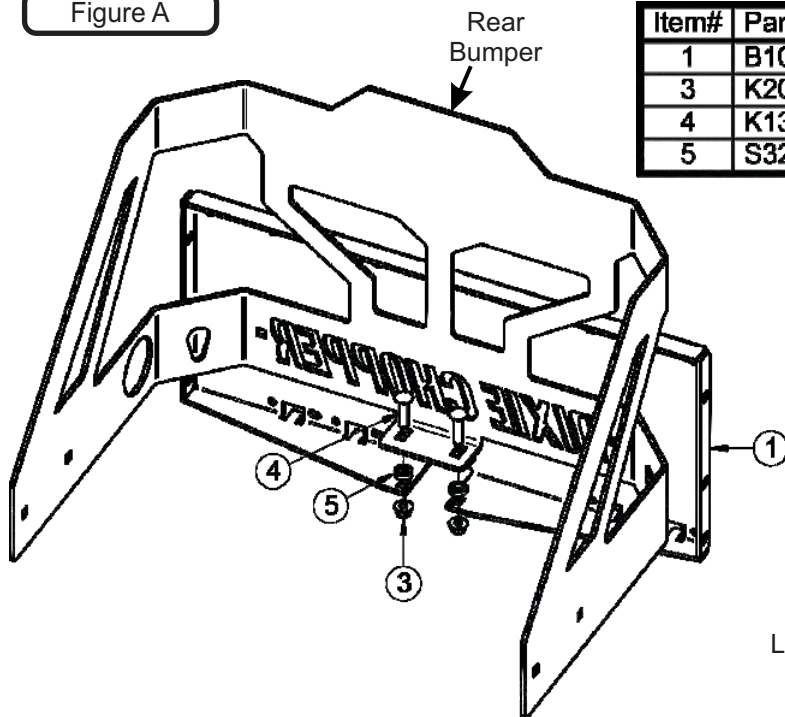
Before the installation of the Rear Mount Plate (Item #1), remove the existing hardware underneath the rear bumper around the hitch receiver.

Position the Rear Mount Plate to the mower's rear bumper and align the bottom (2) bolt holes located on the bottom tab of the Rear Mount Plate to those on the mower's rear bumper. Secure the Rear Mount Plate relatively loose here using (2) 3/8"-16 x 1-1/2" Carriage Bolts (Item #4), (2) Spacers (Item #5) and (2) 3/8"-16 Ny-Flange Lock Nuts (Item #3). Refer to Figure A.

Next, align the side bolt holes of the Rear Mount Plate to those on the Left and Right Mount Plate. Secure the Rear Mount Plate using (3) 3/8"-16 x 1" Carriage Bolts and (3) 3/8"-16 Ny-Flange Lock Nuts (Item #3) PER side. Refer to Figure B. Tighten all hardware at this time.

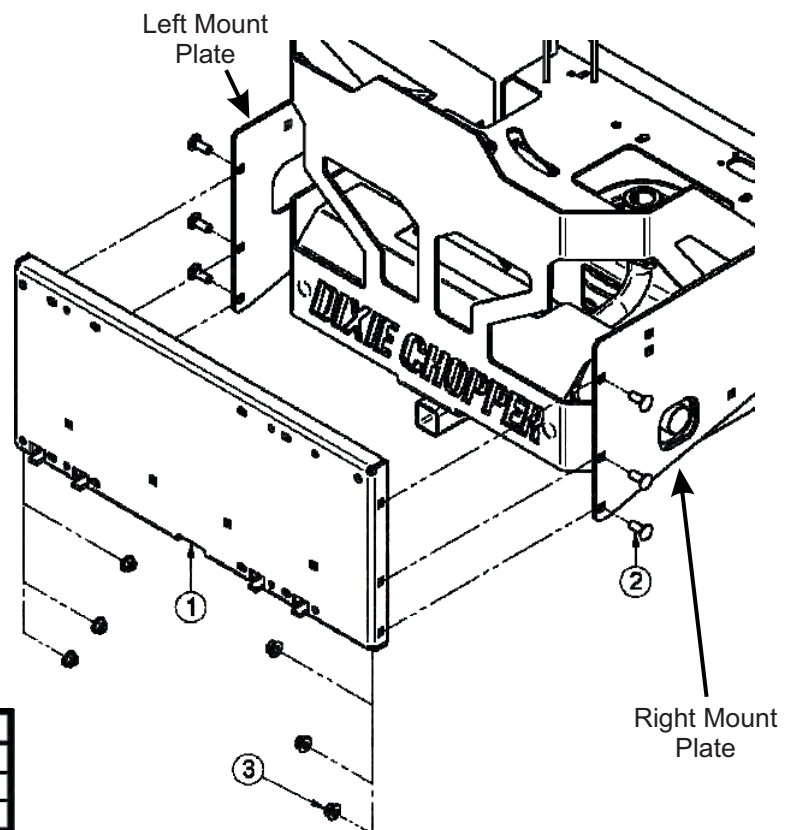
Note: Some part features have been hidden from view for visual clarity.

Figure A



Item#	Part#	Desc.	Qty.
1	B1084	Rear Mount Plate	1
3	K2038	Ny-Flange Lock Nut 3/8"-16	2
4	K1337	Carriage Bolt 3/8"-16x1-1/2"	2
5	S3287	Spacer .437IDx.750ODx.250T	2

Figure B



Item#	Part#	Desc.	Qty.
1	B1084	Rear Mount Plate	1
2	K1182	Carriage Bolt 3/8"-16x1"	6
3	K2038	Ny-Flange Lock Nut 3/8"-16	6

PTO Mount Assembly Installation

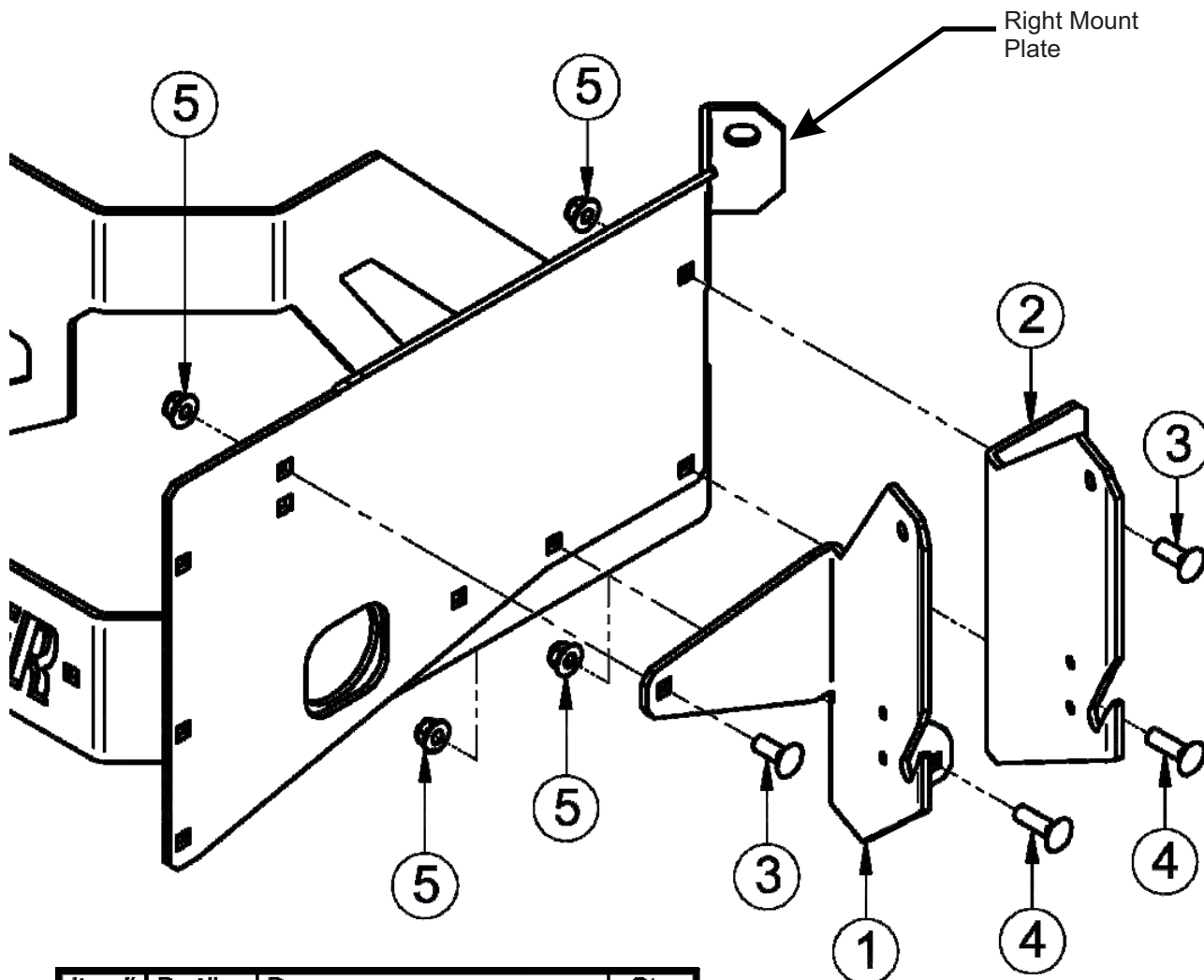
Before installing the Left PTO Mount (Item #1) and Right PTO Mount (Item #2), remove the bottom (2) 3/8"-16 x 1-1/4" Carriage Bolts (Item #4) and (2) 3/8"-16 Ny-Flange Lock Nuts (Item #5).

Install the Left PTO Mount to the Right Mount Plate by aligning the top and bottom bolt holes. Then secure the Left PTO Mount by using (1) 3/8"-16 x 1" Carriage Bolt (Item #3), (1) 3/8"-16 x 1-1/4" Carriage Bolt (Item #4) and (1) 3/8"-16 Ny-Flange Lock Nut. Refer to Figure A.

Repeat the steps above to install and secure the Right PTO Mount.

Note: Some part features have been hidden from view for visual clarity.

Figure A



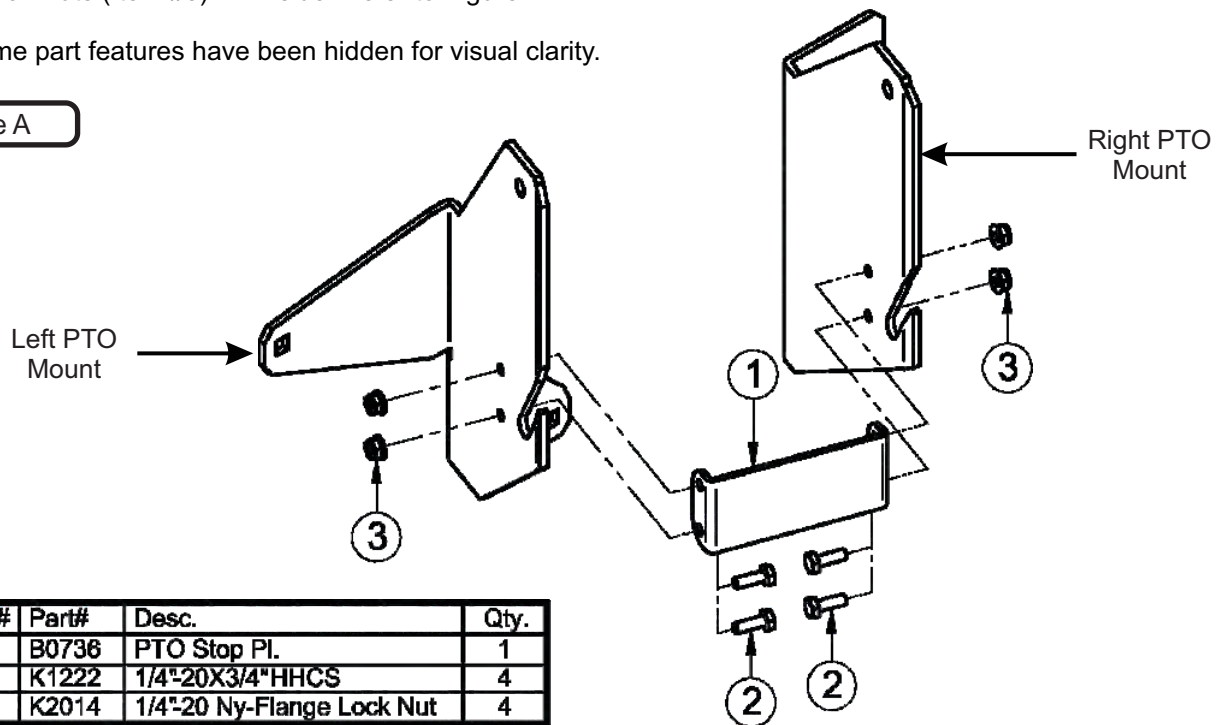
Item#	Part#	Desc.	Qty.
1	B1091	Left PTO Mount	1
2	B1092	Right PTO Mount	1
3	K1182	Carriage Bolt 3/8"-16x1"	2
4	K1183	Carriage Bolt 3/8"-16x1-1/4"	2
5	K2038	Ny-Flange Lock Nut 3/8"-16	4

PTO Stop Plate Installation

To install the PTO Stop Plate (Item #1), align the PTO Stop Plate in between the Left and Right PTO Mount. With the (4) bolt holes aligned, secure the PTO Stop Plate using (2) 1/4"-20 x 3/4" HHCS (Item #2) and (2) 1/4"-20 Ny-Flange Lock Nuts (Item #3) PER side. Refer to Figure A.

Note: Some part features have been hidden for visual clarity.

Figure A



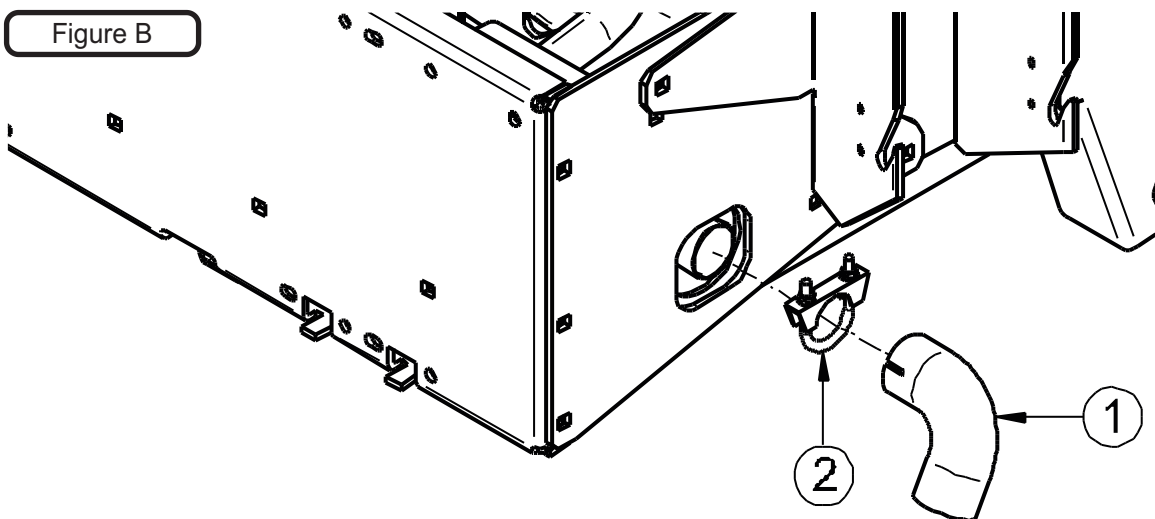
Item#	Part#	Desc.	Qty.
1	B0736	PTO Stop Pl.	1
2	K1222	1/4"-20X3/4"HHCS	4
3	K2014	1/4"-20 Ny-Flange Lock Nut	4

Exhaust Diverter Installation

The Exhaust Diverter (Item #1) is designed to redirect the exhaust flow away from your Collection System to prevent any damages to your PTO unit and Collection Bags.

To install the Exhaust Diverter, align the Diverter to the mower's exhaust. Using (1) 1-1/2" Exhaust Clamp Kit (Item #2), loosely tighten the Clamp Kit around the Exhaust Diverter. Position the Exhaust Diverter so that the opening is angled away from the PTO Unit, Collection Bags and not directly blowing down onto your lawn. Tighten the Clamp Kit to secure the Exhaust Diverter. Refer to Figure B.

Figure B



Item#	Part#	Desc.	Qty.
1	J0293	1-1/2"Exhaust Diverter	1
2	X1064	1-1/2"Exhaust Clamp Kit	1

PTO Assembly & Handle Assembly Installation

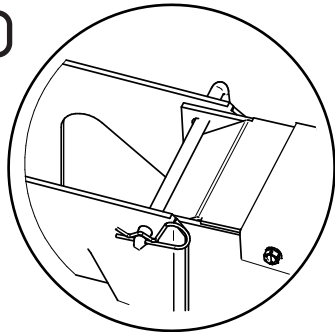
To mount the PTO Assembly, insert the Pivot Rod on the PTO Assembly P#(A1950) into the mounting slots located on the Left & Right PTO Mount Plates (Figure A). Tilt the PTO Assembly upward and insert the PTO Mount Pin P#(B0274) through the hole in the top of the Right PTO Mount Plate Assembly. Secure the PTO Mount Pin using 3/32" Hair Pin Clip P#(K0099) as shown below.

Note: Remove the gearbox pulley guard in preparation for the belt installation. Refer to Figure A.

To install the PTO Handle P#(A0626), attach the PTO Handle P#(A0626) to the PTO Assembly using (3) 1/4"-20 x 3/4" HHCS P#(K1222) and (3) 1/4"-20 Ny-Flange Locknuts P#(K2014). Attach the Handle Grip P#(J0522) to the PTO Handle. Refer to figure B

NOTE: The PTO Handle can be adjusted after achieving proper belt adjustment. To adjust the handle, remove (3) 1/4"-20 x 3/4" HHCS P#(K1222) and (3) 1/4"-20 Ny-Flange Locknuts P#(K2014), rotate handle until positioned in the desired location (while aligning holes) and reattach. The bolts should be kept approximately 120 degrees apart to ensure proper fastening.

Figure A



PTO Mount Pin P#(B0274)
and hair pin clip P#(K0099)

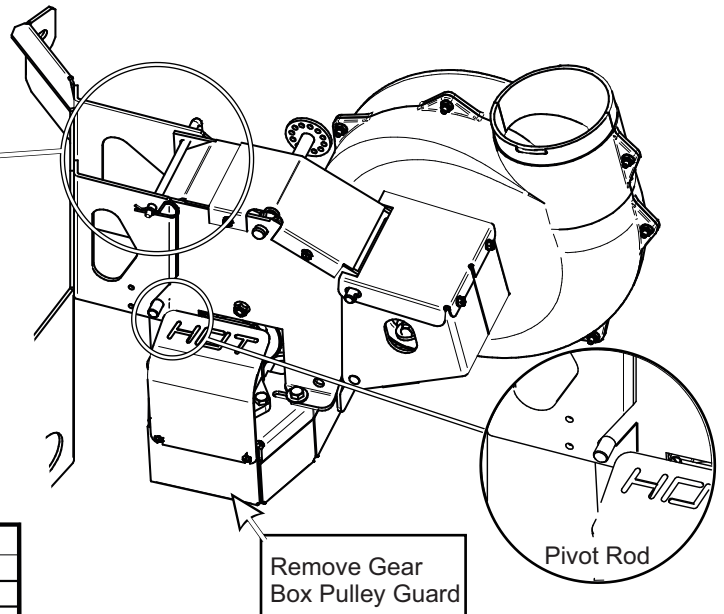
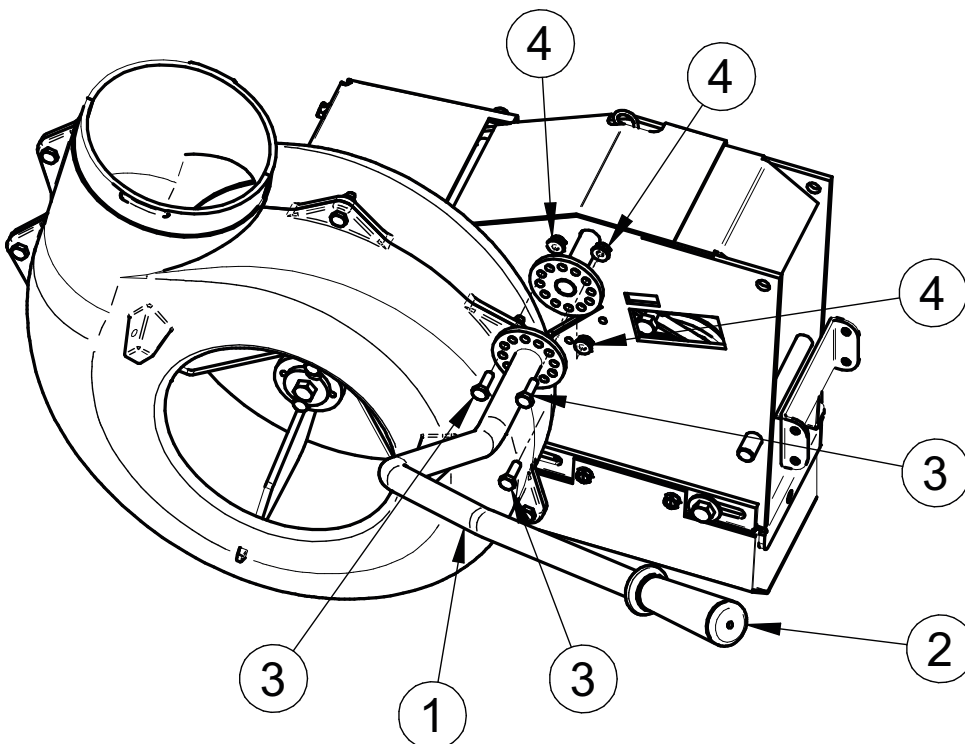


Figure B

Item #	Part #	Desc.	Qty.
1	A0626	PTO ENGAGE. HANDLE ASSY.	1
2	J0522	HANDLE GRIP, ROUND BLACK .800 ID	1
3	K1222	1/4"-20 X 3/4" HHCS	3
4	K2014	1/4"-20 Ny-Flange Lock Nut	3



Belt Installation & Adjustment

Loosen the (4) bolts P#(K1191), (2) on each side, that secure the gear box assembly to the PTO assembly P#(A1950) (Figure A and B).

Figure A

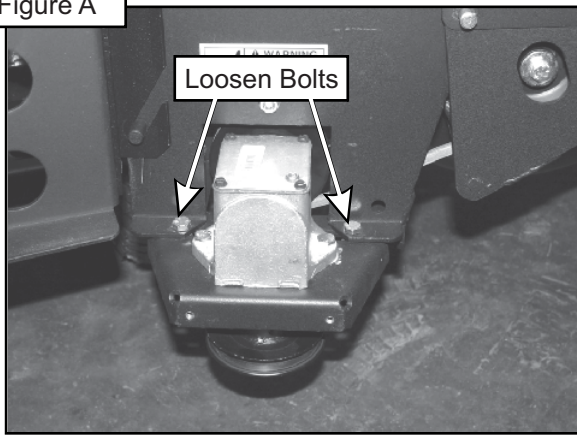
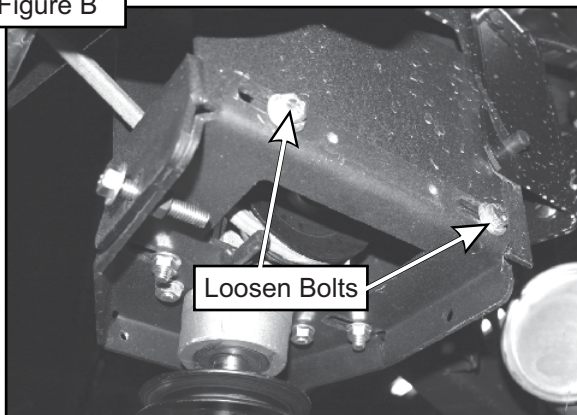
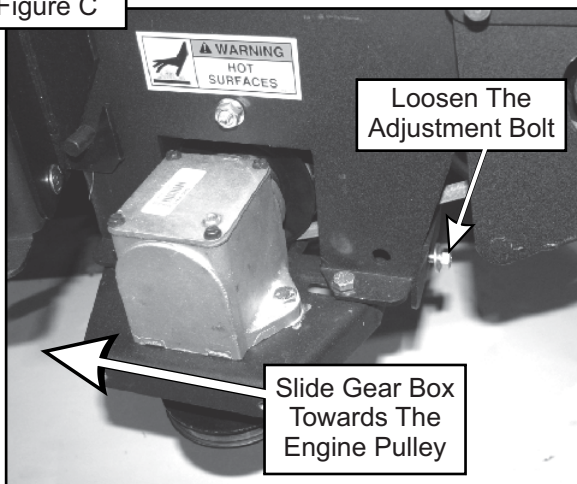


Figure B



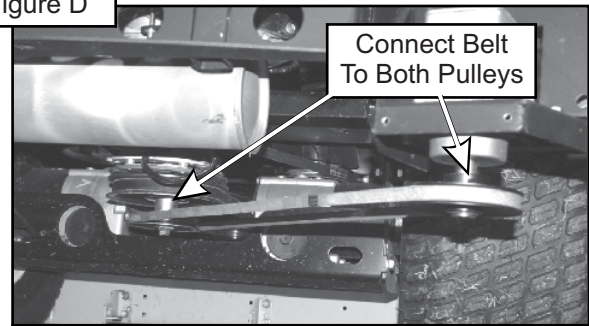
Loosen the adjustment bolt P#(K0348) until the gear box assembly is at its far left adjustment (the gear box is moved toward the mower's engine pulley). Refer to Figure C.

Figure C



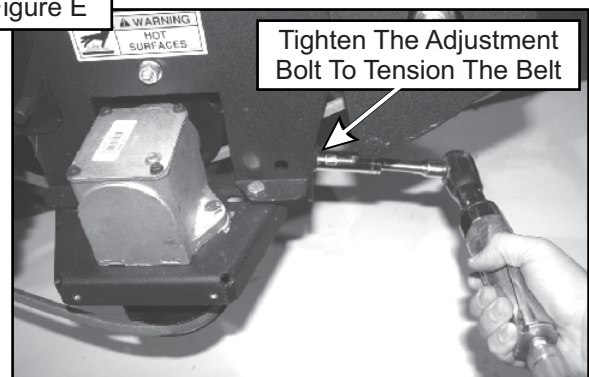
Connect the belt A56K P#(M0239) from the engine pulley to the lower gear box pulley (Figure D).

Figure D



To tension the drive belt, turn the adjustment bolt clockwise (Figure E) until there is 1" of deflection, with 10-11 lbs. of pressure, at the center of the belt between the engine pulley and the gear box pulley.

Figure E



Once the correct tension of the belt is achieved, tighten the (4) bolts that secure the gear box assembly. Refer to Figures F and G. Replace the belt guard and hardware that was removed in the previous step.

Figure F

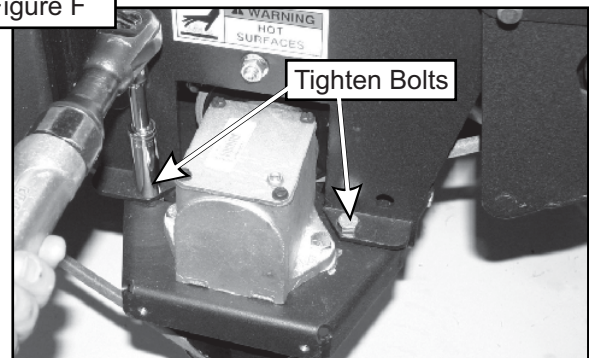
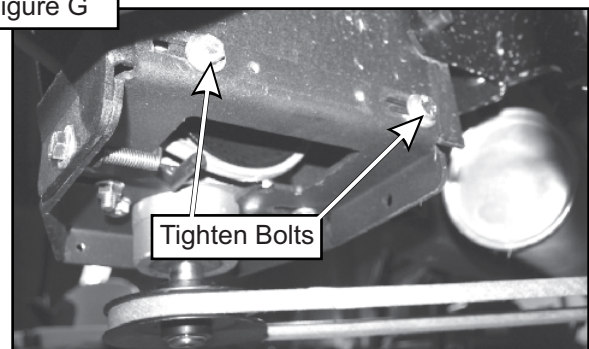


Figure G



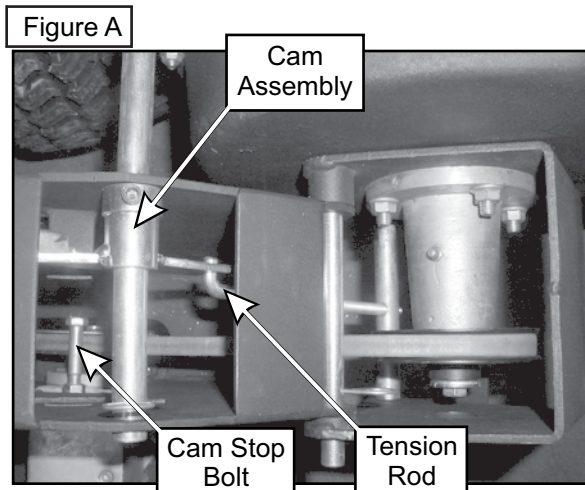
Cam Assembly Adjustment

The Cam Assembly P#(A0422), which controls the blower belt tension, comes from the factory pre-adjusted.

If the belt is too tight or becomes too loose, remove the Hair Pin Clip P#(K0130) from the Belt Tension Rod P#(K0326) and pull the "L" end of the rod out of its hole in the Cam Assembly.

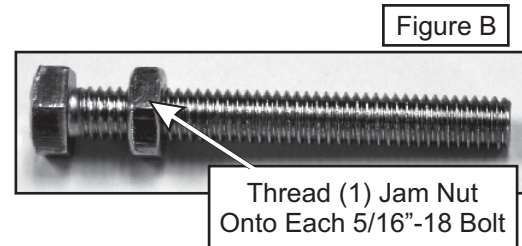
The Tension Rod may then be screwed out to tighten the belt or screwed in to loosen the belt. Replace the "L" end into the top hole in the cam and replace the Hair Pin Clip.

Adjust the Cam Stop Bolt P#(K1159) to allow the cam to rotate slightly over center when the blower is engaged (Figure A).

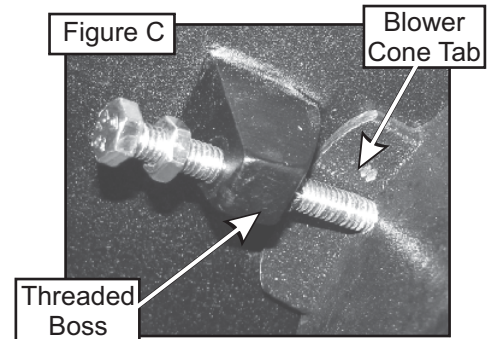


Blower Cone Installation

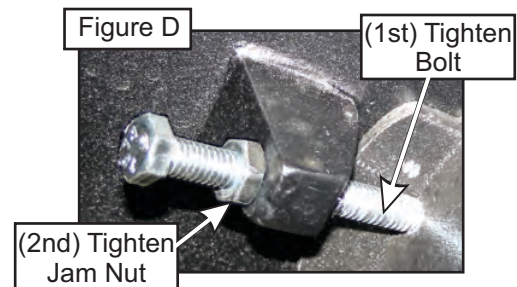
Thread (1) 5/16"-18 Jam Nut P#(K0120) onto each end of (2) 5/16"-18 x 2-1/2" HHCS P#(K0125) as shown in Figure B.



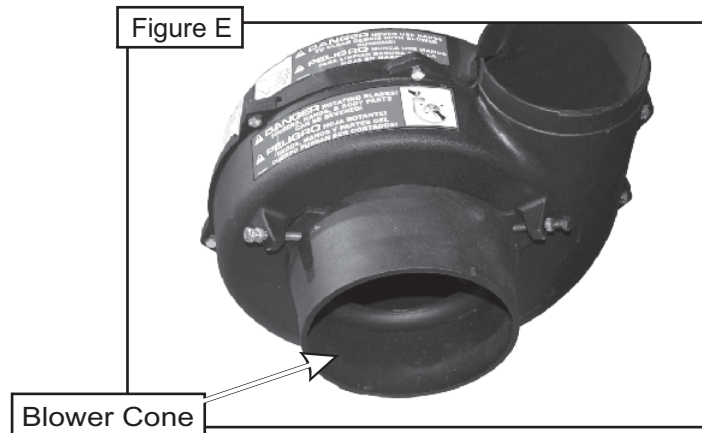
Now partially thread (1) bolt into each of the two threaded bosses located on the blower housing. Place Blower Cone so the two tabs line up with the bolts and tighten completely as shown in Figure C.



Once the (2) bolts are tight, tighten the Jam Nuts against the threaded boss as shown in Figure D.



Refer to Figure E for proper Blower Cone installation reference.



Boot Kit Installation

Step 1 - Remove the mower's Operator Controlled Discharge Chute (OCDC) and attach the Boot Plate Adapter (Item #7) to the far right mounting hole as shown in Figure B using (1) 3/8"-16 x 1" Hex Head Cap Screw (Item #8), (1) 3/8" Flat Washer (Item #9) and (1) 3/8"-16 Ny-Flange Lock Nuts (Item #6).

Step 2 - Secure the Boot Plate (Item #2) to the Aluminum Boot (Item #1) using (2) 3/8"-16 x 1" Carriage Bolts (Item #5) and (2) 3/8"-16 Ny-Flange Lock Nuts (Item #6). Insert the Carriage Bolts from the inside of the Boot so the threads are on the top of the Boot. This will prevent grass clippings from collecting on the threads. Leave the hardware loose until the boot plate has been attached to the mower deck.

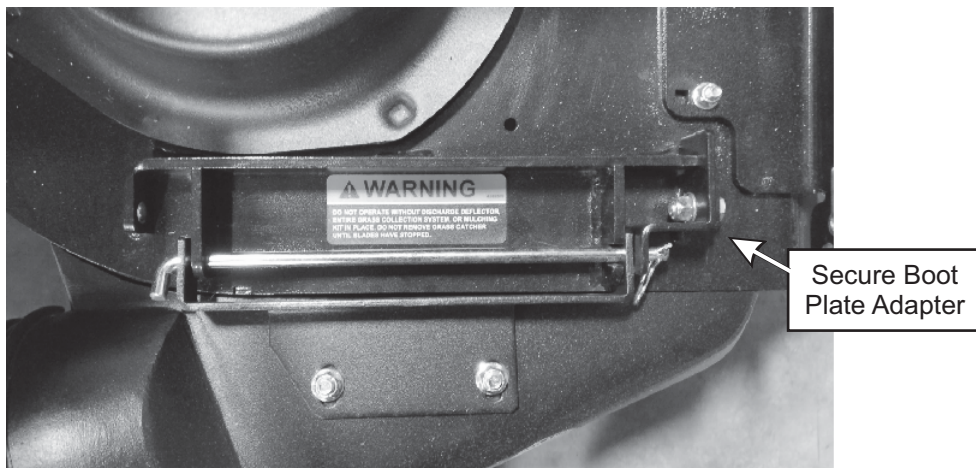
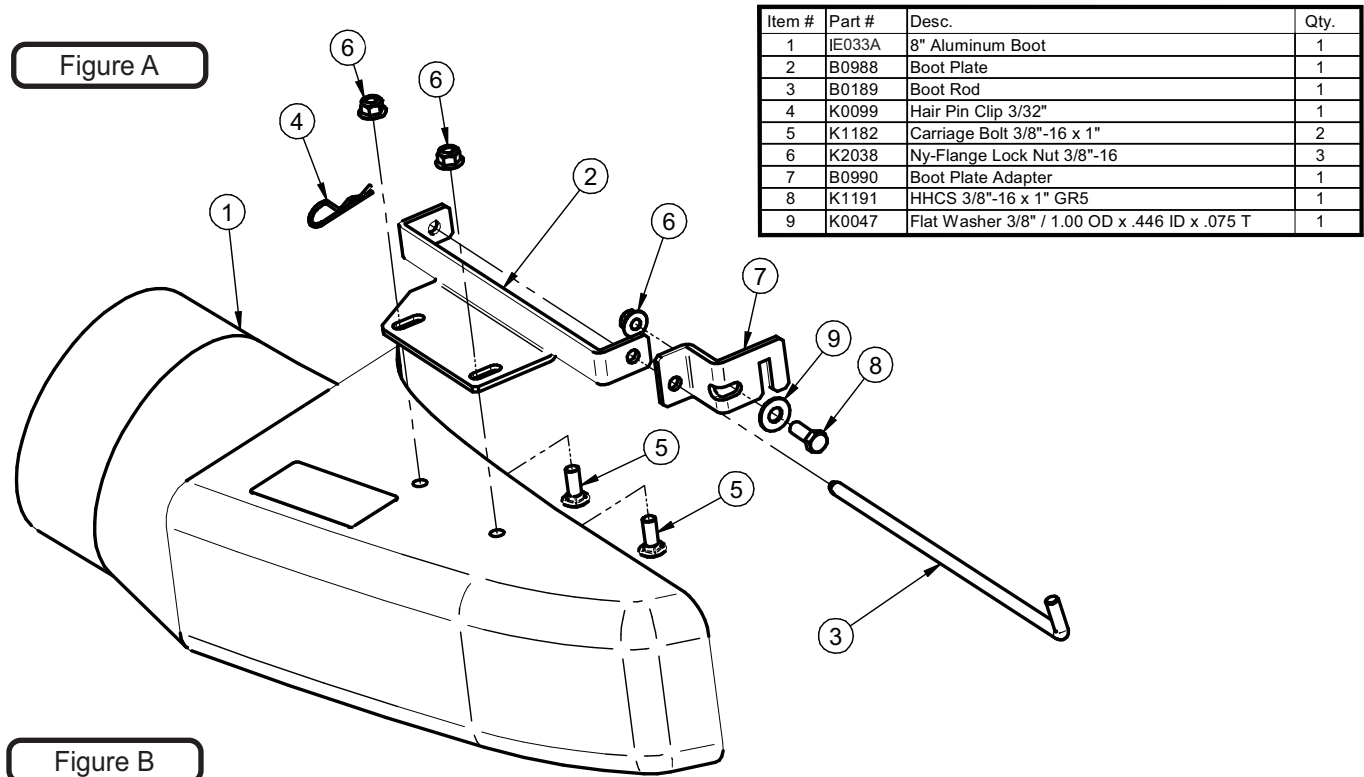
Step 3 - Align Boot Plate Bushings to the Boot Plate Adapter Bushings.

Step 4- Insert Boot Rod (Item #3) through the Boot Plate Adapter & Boot Plate Bushings.

Step 5 - Secure the Boot Rod using a Hair Pin Clip (Item #4).

Step 6 - With the Carriage Bolts (Item #5) still loose, adjust the position of the boot so that there is no gap between the mower deck and the boot.

Step 7 - Tighten all hardware at this time.



Lower Mount Tube Installation

Before installing the Lower Mount Tubes, refer to Figure A for the correct configuration based on your Collection System. Note the positioning of the Lower Mount Tubes.

Secure the (2) Lower Mount Tubes (Item #1) to the Rear Mount Plate using (2) 5/16"-18 U-Bolts (Item #2) and (4) 5/16"-18 Ny-Flange Lock Nuts (Item #3) PER TUBE. Refer to Figure B.

Note: Some part features have been hidden from view for visual clarity.

Figure A

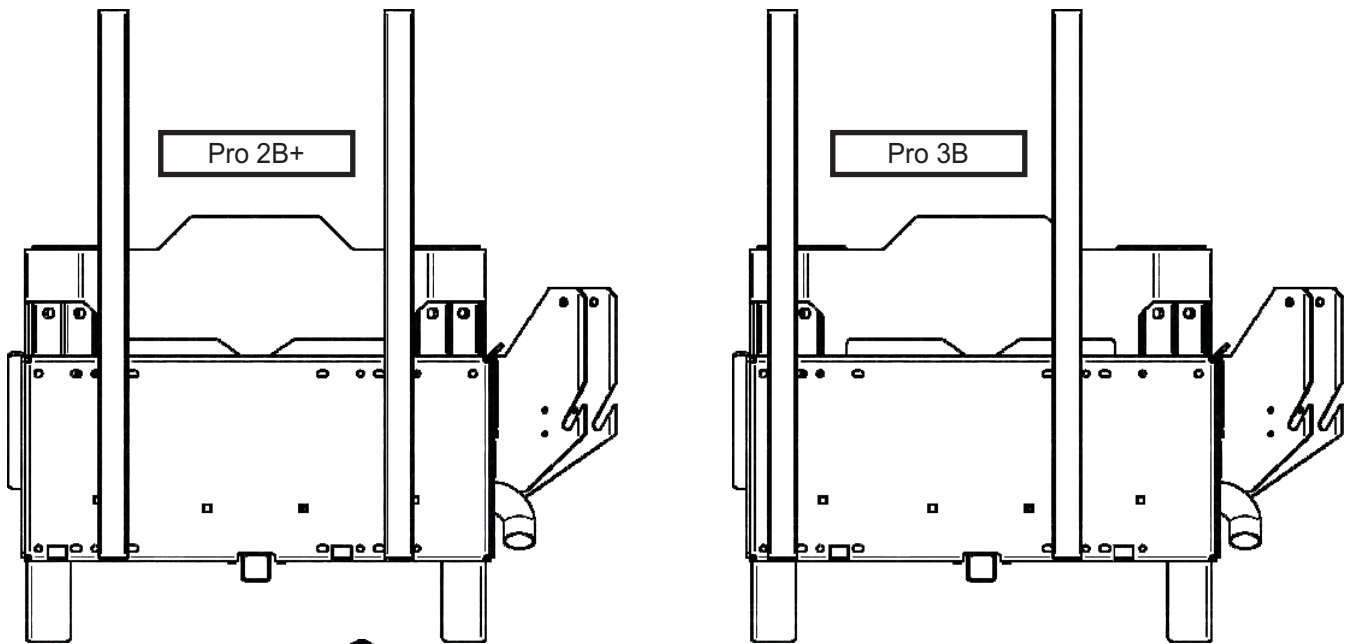
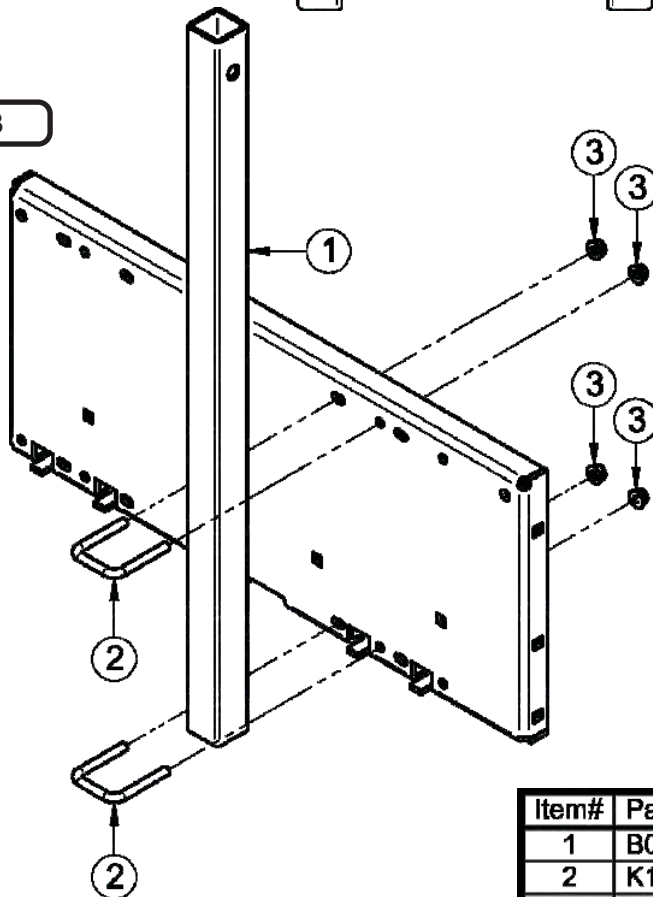


Figure B



Item#	Part#	Desc.	Qty.
1	B0640	Lower Mount Tube / 29"	1
2	K1098	U-Bolt / 5/16"-18 x2"x 2-1/2"	2
3	K2516	Ny-Flange Lock Nut 5/16"-18	4

Upper Frame Assembly Installation

Position the Upper Frame Assembly (Item #1) above the Lower Mount Tubes as shown in Figure A. Slide the Upper Frame Assembly down onto the Lower Mount Tubes and secure using (2) Clevis Pins (Item #2) and (2) Rue Ring Cotter Pin Clips (Item #3). Refer to Figure B.

Figure A

Item #	Part #	Desc.	Qty.
1	A2068	Upper Frame Assembly P3B Generic Gen 2	1
2	K0133	Clevis Pin 1/2" x 2-1/2"	2
3	K1437	Rue Ring Cotter Pin	1

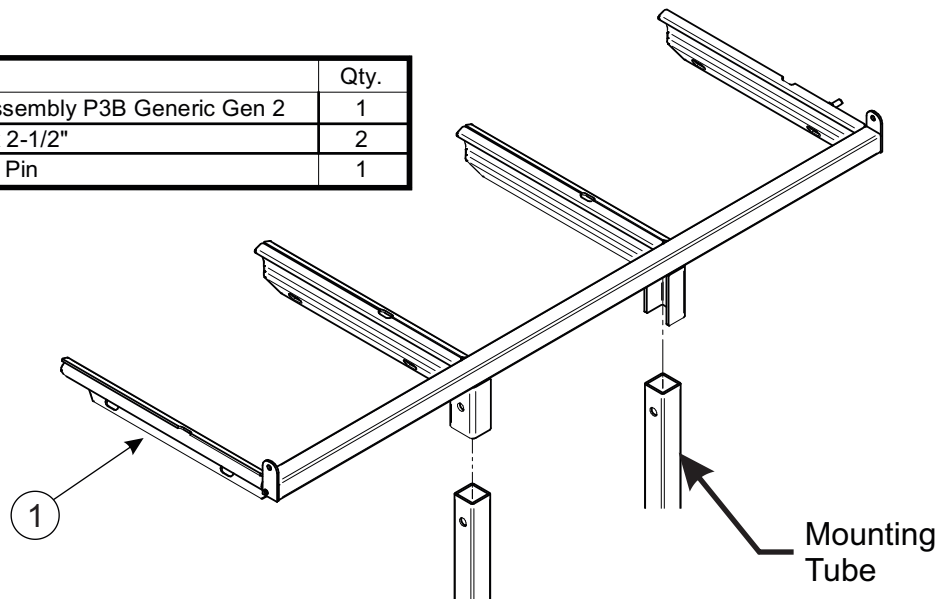
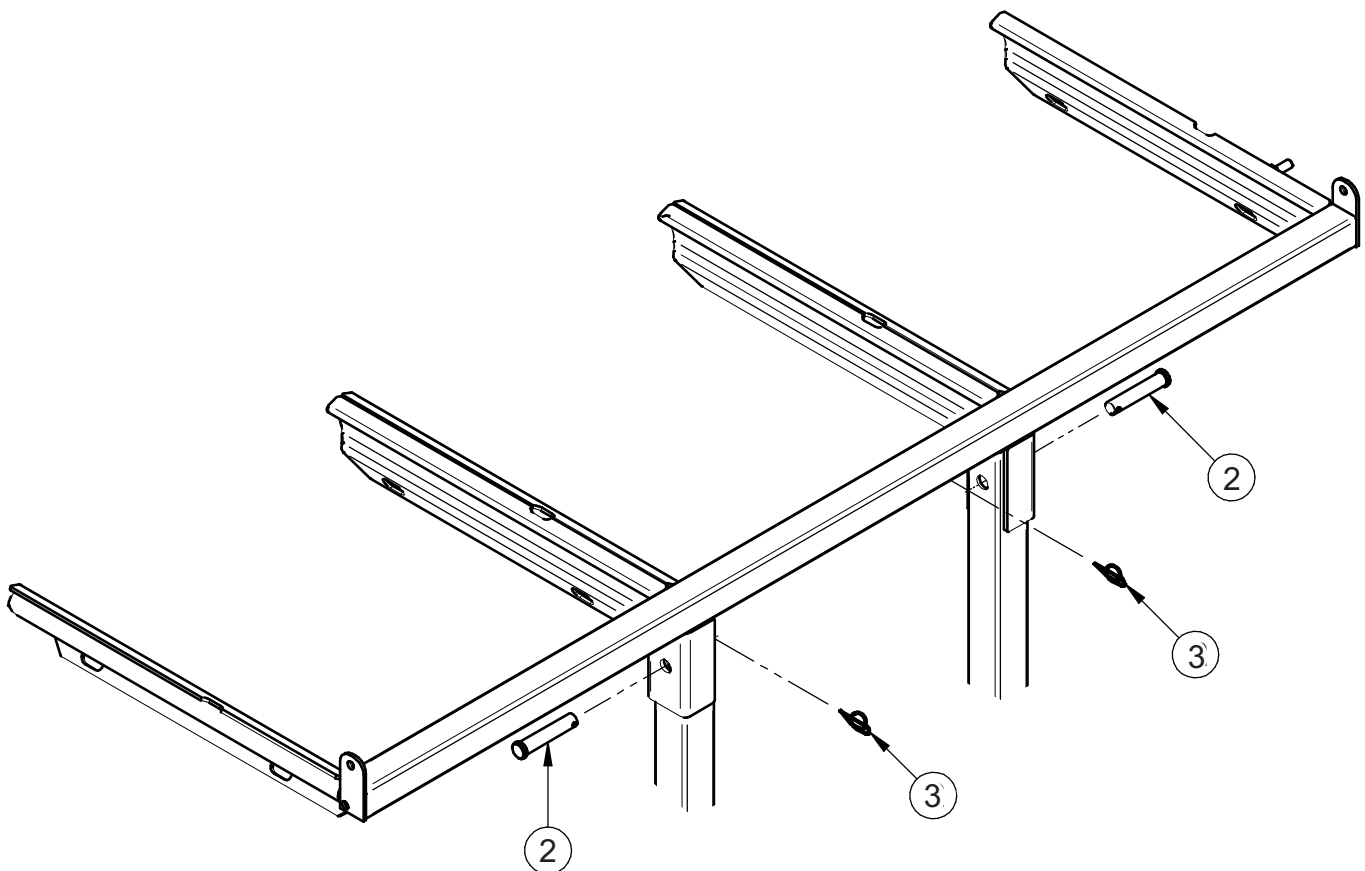
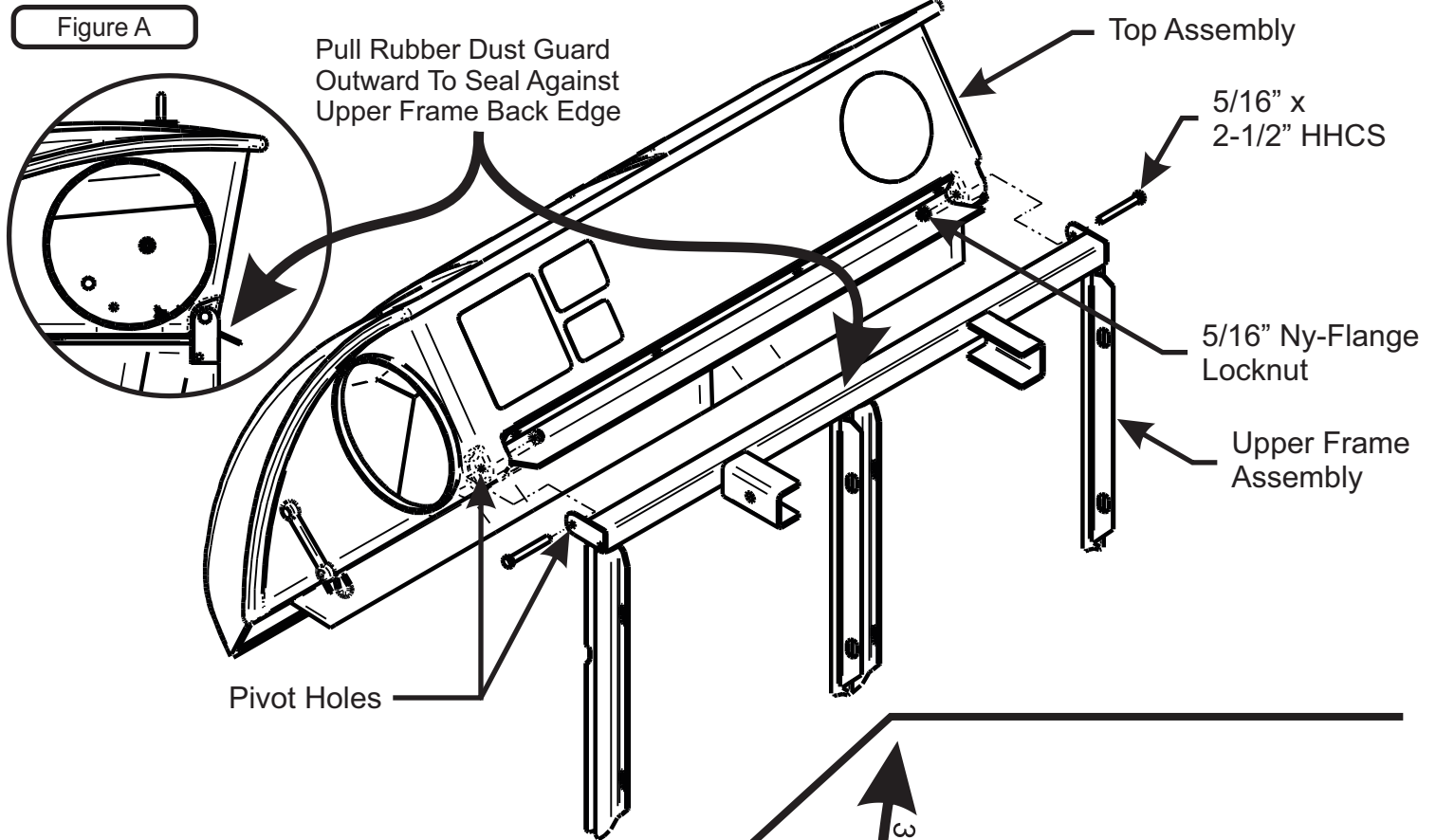


Figure B



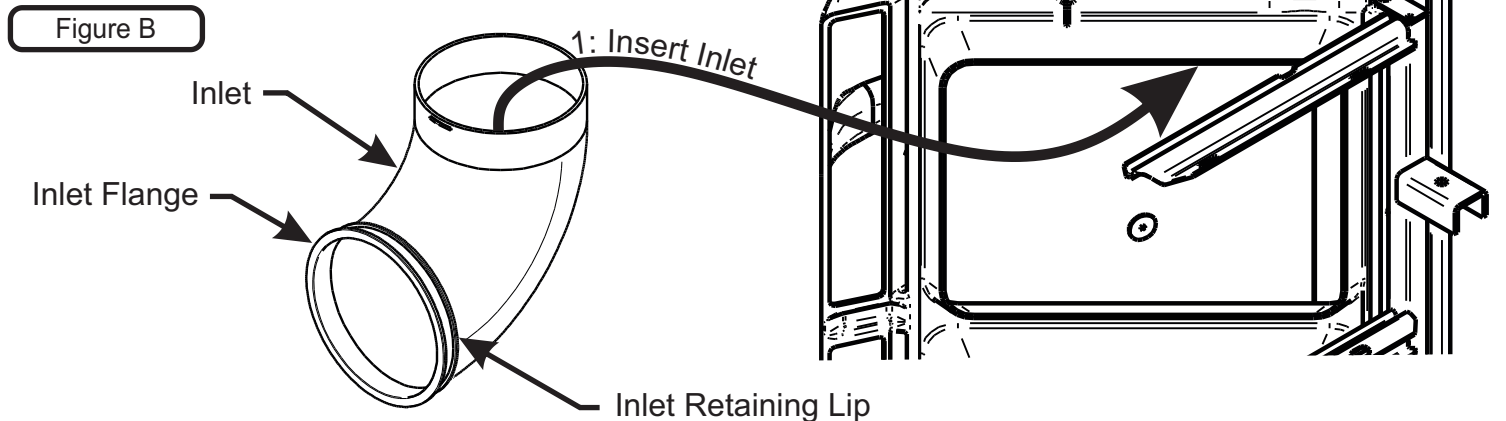
Top Assembly To Upper Frame Assembly Installation

Align the Top Assembly Pivot Holes to the Upper Frame Assembly. See Figure A below. Before fastening, pull Rubber Dust Guard outward to seal against Upper Frame Assembly (towards the mower's operator seat). Fasten the Top Assembly to the Upper Frame Assembly using (2) 5/16"-18 x 2-1/2" HHCS P#(K0125) and (2) 5/16"-18 Ny-Flange Locknuts P#(K2516). Leave the Ny-Flange Locknuts slightly loose to allow the Top Assembly to open and close easily.



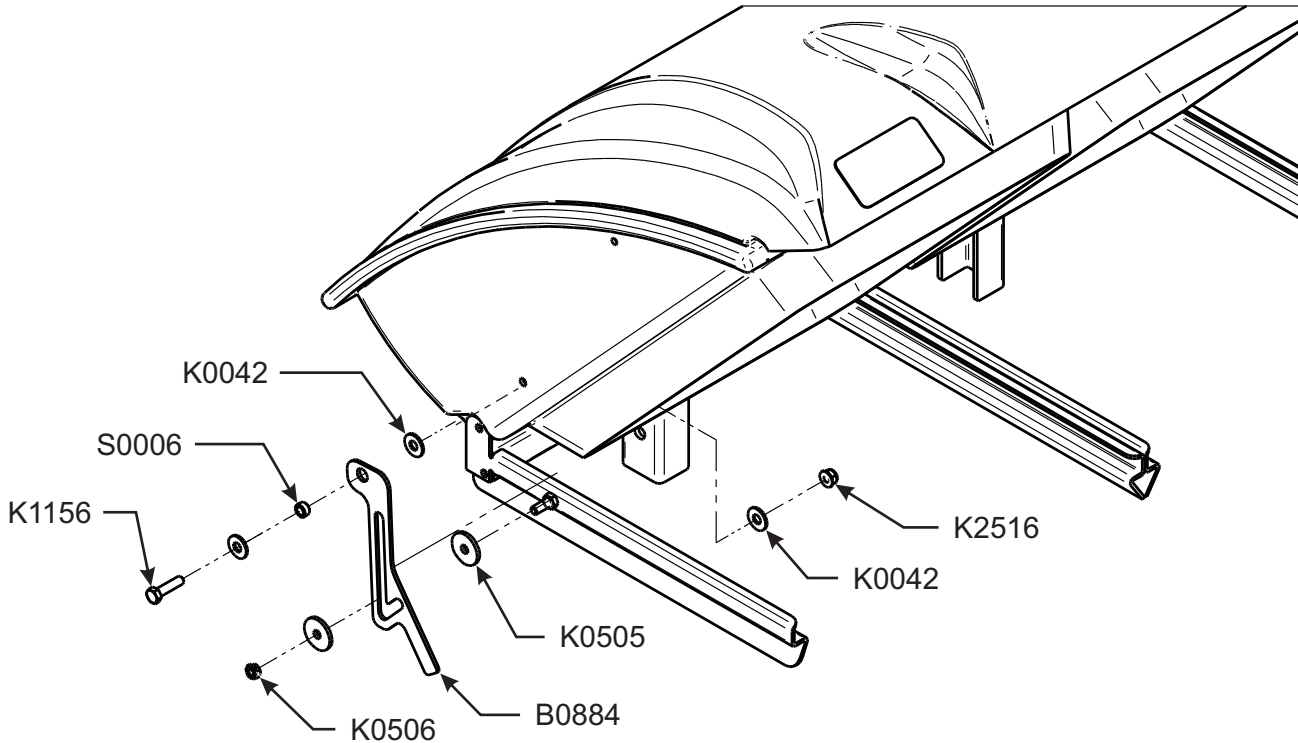
Inlet Installation

Position the Top Assembly on its side with the Inlet Hole facing up. See Figure B. 1: Insert the Inlet from inside the Top Assembly, up through the Inlet Hole, until the Inlet Retaining Lip meets the Inlet Hole. 2: Position the Inlet as shown in Figure B, then pull the Inlet until a portion of the Inlet Retaining Lip protrudes from the Inlet hole. 3: Next, lift the Inlet as shown in Figure B until all of the Inlet Retaining Lip protrudes from the Inlet Hole. Once installed, the Inlet should pivot freely about the Inlet Hole.



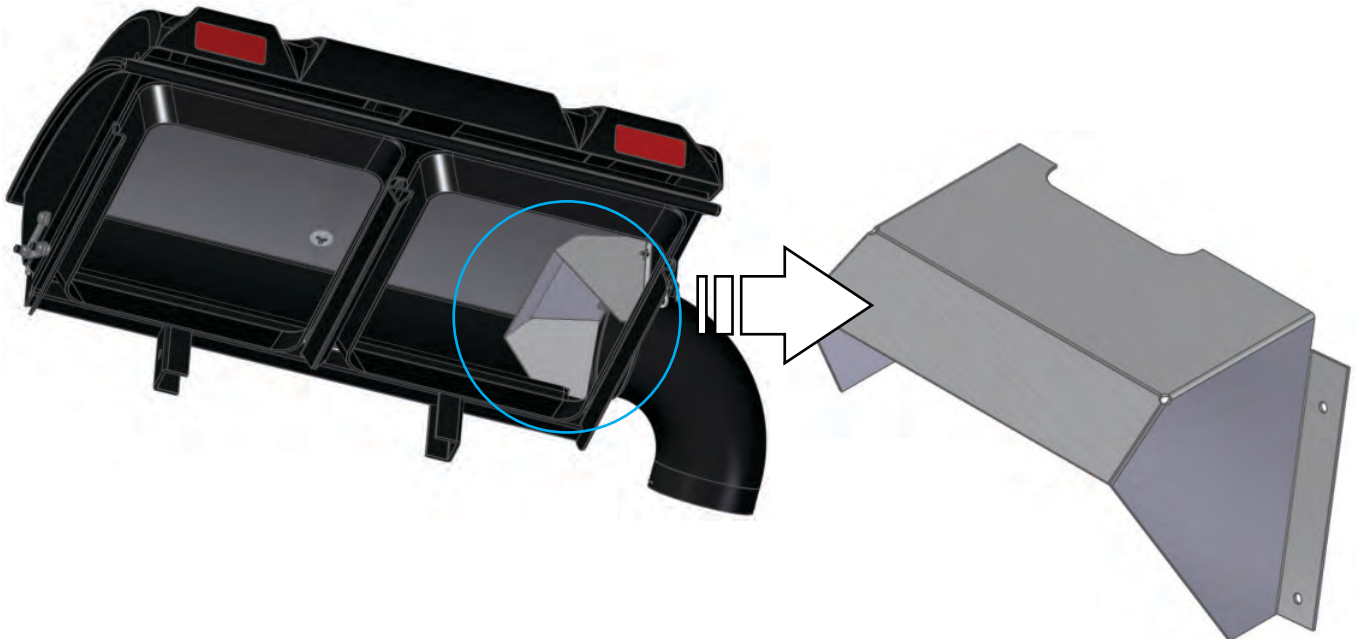
Hinge Kit Assembly Installation

Assemble the Hinge Kit using (1) Latch Plate P#(B0884), (1) 5/16"-18 x 1-1/4" HHCS P#(K1156), (1) 5/16"-18 Ny-Flange Lock Nut P#(K2516), (3) 5/16" Flat Washers P#(K0042), (1) Latch Spacer P#(S0006), (2) Extra Heavy 5/16" Fender Washers P#(K0505) and (1) 5/16"-18 Lock Nut P#(K0506). Leave the nuts loose enough to allow fluid movement of the top when opening and closing. When opened, the top should rest in the Latch Plate Slot.



Even Bag Fill Adjustment

Flap can be adjusted Up/Down depending on mowing conditions. Adjust flap up to allow more dense material to reach left bag. Adjust flap down to allow less dense material to reach the right bag. Once adjusted properly, both bags should fill evenly, but may require further adjusting when mowing conditions change.



Length Of Hose Adjustment

The hoses in the following steps must be cut to fit your machine. Do not cut the hoses until you have tried to fit them on your machine. Remember that the hoses need to be long enough to allow for the opening and closing of the collection system as well as allowing ample clamping surface between each component.

Upper Hose Installation

Slide a Hose Clamp P#(J0060) over one end of the 6" Upper Hose. Secure this end of the 6" Upper Hose to the Blower Outlet. See Figure below for details. Secure opposite end of the 6" Upper Hose to the Inlet with another Hose Clamp P#(J0060). Make sure both ends are securely fastened by tightening the Hose Clamp.

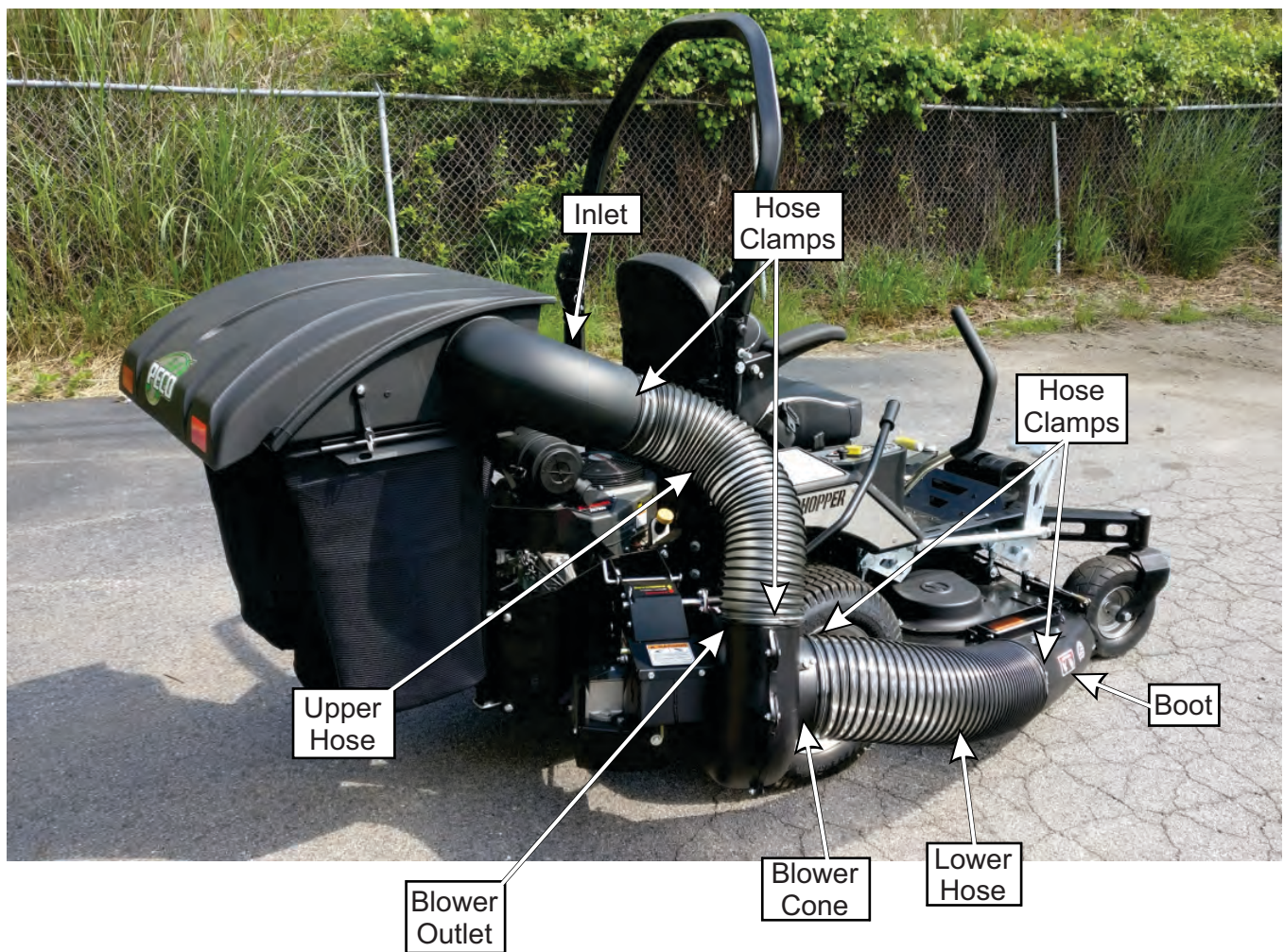
Lower Hose To Blower Cone Installation

Slide a Hose Clamp P#(J0080) over both ends of the Lower Hose. Secure one end of the Lower Hose to the Blower Cone and fasten by tightening the Hose Clamp.

Lower Hose To Boot Installation

Take the unattached end of the Lower Hose and secure it to the circular end of the Boot and fasten by tightening the Hose Clamp.

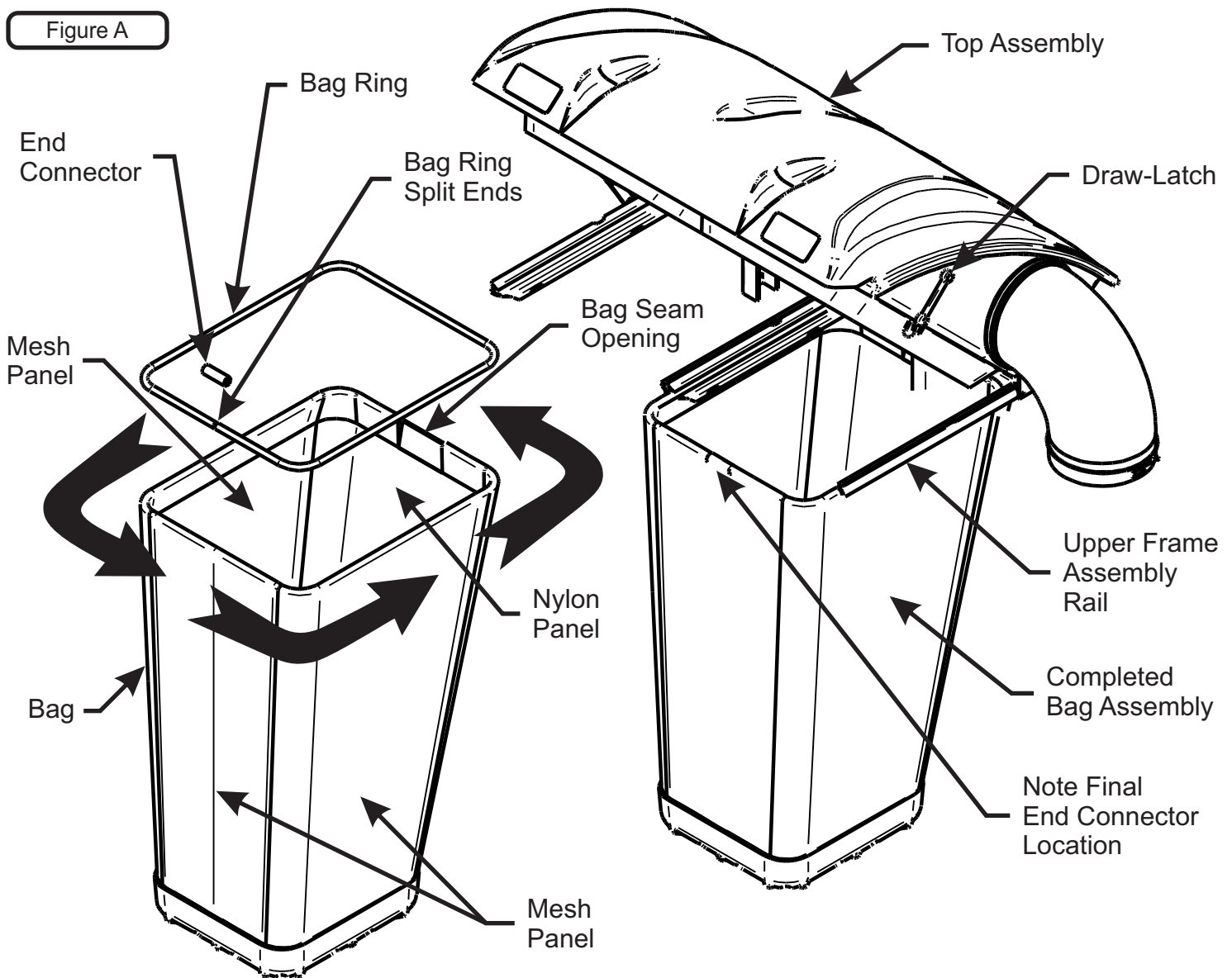
Tip: Before securing Hose Clamp fully, rotate Lower Hose counter-clockwise (away from yourself) approximately 1" to aid in retaining Boot to mower deck.



Bag Assembly

First, take one of the Bag Ring Split Ends and insert it through the Bag Seam Opening. Next, rotate the Bag around the Bag Ring (1) full turn (360 degrees) until the Bag Ring Split Ends and the Bag Seam Opening are positioned on the same side. Then, connect the Bag Ring Split Ends using (1) End Connector. Last, rotate the Bag Ring and the End Connector Assembly (1/2") turn (180 degrees) to position the Connector opposite of the Bag Seam Opening. Note Final End Connector Location below in Figure A. Repeat for each Bag.

Figure A



Bag Assembly Installation

Slide the Completed Bag Assembly into the Upper Frame Assembly Rails and close the Top Assembly. Fasten the Draw-Latch on either side to hold the bagger closed.

Impeller Blade Removal/Replacement

To Remove: First remove the 5/16"-24 x 1" HHCS P#(K0428) (#1), Taper Lock Bushing Washer P#(K0284) (#3), (2) 5/16 Flat Washers P#(K0042) and Spacer Bushing P#(S0159) (#4) from the Taper-Lock Bushing P#(S0157) (#5). Next remove the (2) 1/4"-20 x 1" HHCS (#2) and place them into the threaded holes of the Taper-Lock Bushing (#5). Gradually thread each bolt evenly into the Taper-Lock Bushing, forcing the blade to break-away from the Taper-Lock Bushing. If the Impeller will not move, carefully hit the base of the Impeller, between each vein, with a hammer, then try again.

To Replace: Place Impeller Blade over the engine shaft. Slide the Taper-Lock Bushing (#5) on to the engine shaft and into the Impeller Blade, aligning the **non-threaded** holes of the Taper-Lock Bushing to the threaded holes of the Impeller Blade. Fasten by using (2) 1/4"-20 x 1" HHCS (#2), (1) Spacer Bushing (#4) (1) Taper-Lock Bushing Washer (#3), and (1) 5/16"-24 x 1" HHCS (#1). Torque to the proper specifications in the torque chart on the back of this manual. Next, rotate the Impeller Blade to ensure that the blade is clear of contact on all sides of the blower housing.



Weight Kit Installation

Step 1 - Remove the existing front name plate by removing the top two screws and bottom two screws. Refer to Figure A.

Step 2 - Remove the footrest to expose (4) large carriage bolts and nuts, located behind the name plate.

Step 3 - Remove and keep (2) existing nuts from the existing carriage bolts, (1) from the far lower left and (1) from the far lower right. Refer to Figure B.

Step 4 - Place Weight Bracket (#1) over the front of the mower and under the footrest as shown in Figure B. Replace and tighten the (2) nuts from Step 3 to the existing carriage bolts.

Step 5 - Insert (2) Suitcase Weights (#2) per side onto the weight bracket & align the holes of the Suitcase Weights to the holes of the Weight Bracket.

Step 6 - Secure each set of (2) Suitcase Weights by using (1) Hitch Pin (#3) and (1) Hair Pin Cotter (#4).

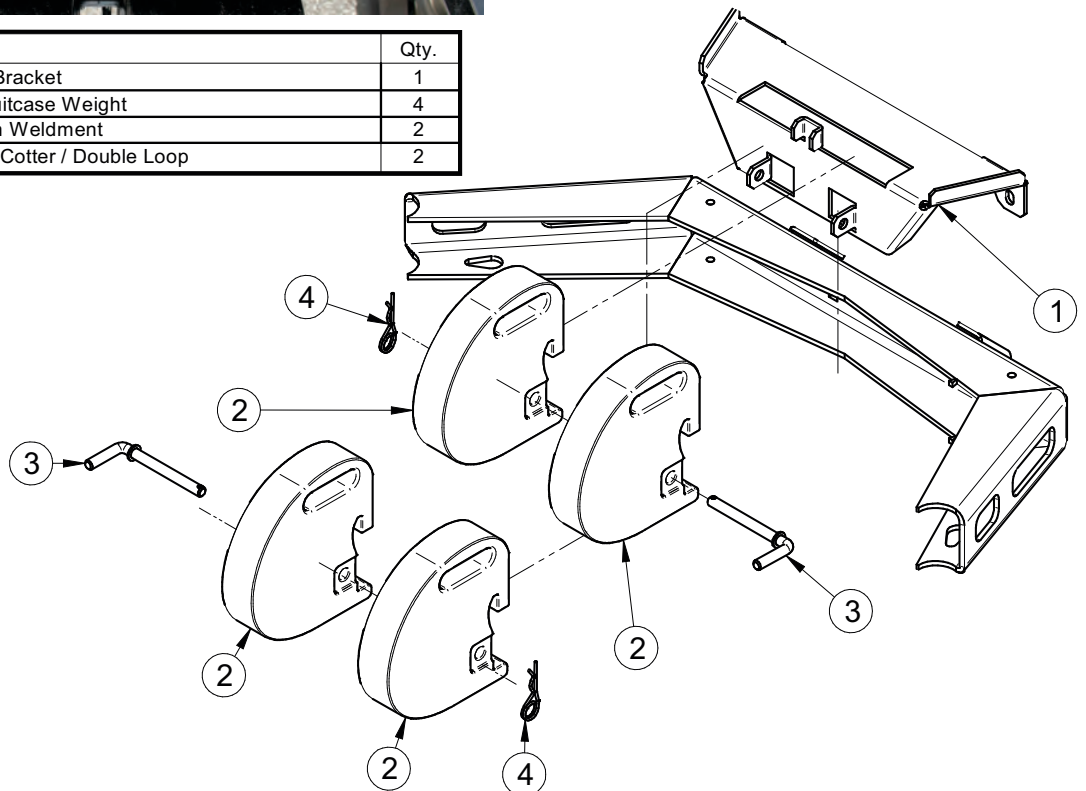
Figure A



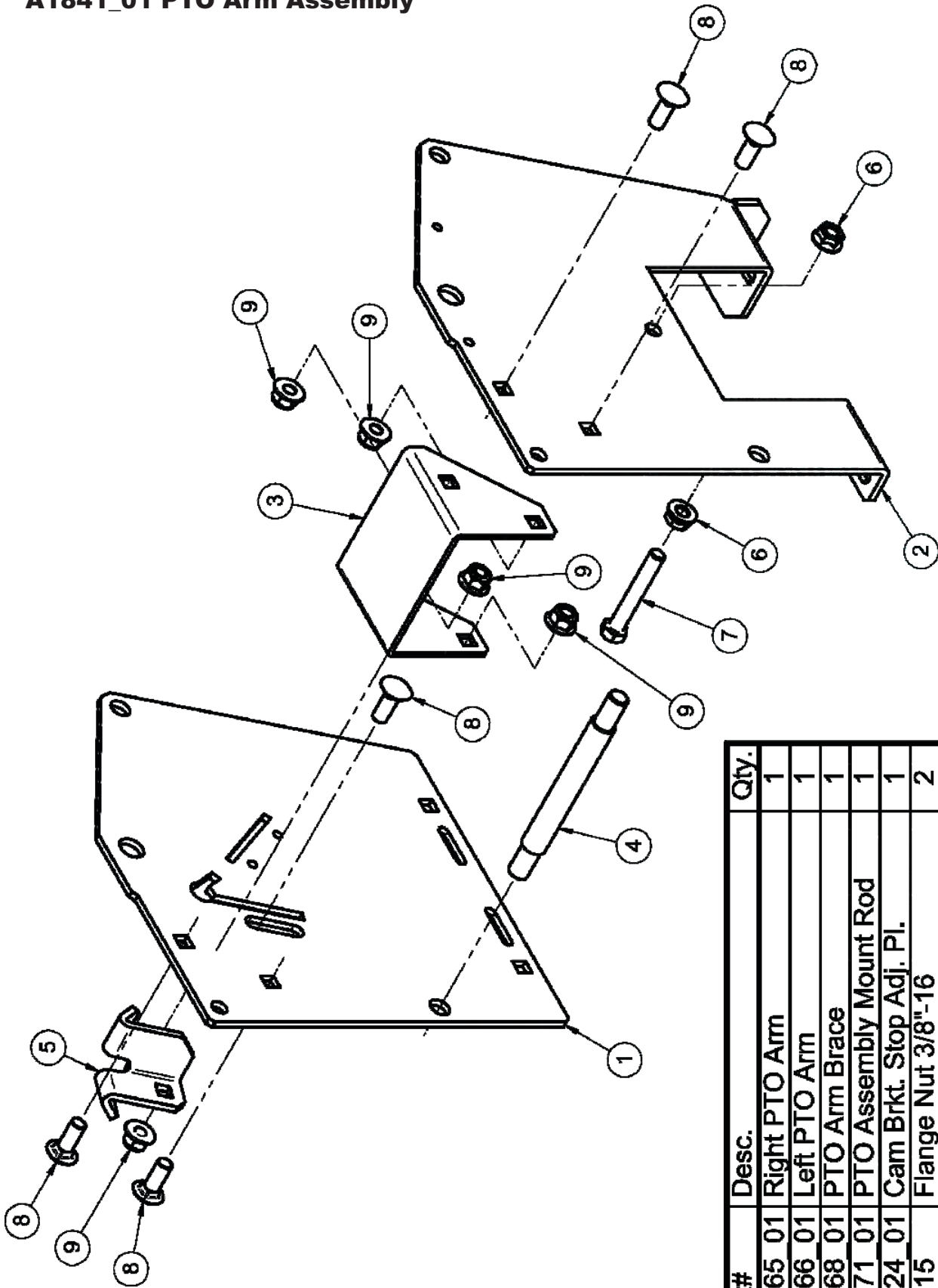
Figure B



Item #	Part #	Desc.	Qty.
1	B0989	Weight Bracket	1
2	Y0025	28 lb. Suitcase Weight	4
3	A0312	Hitch Pin Weldment	2
4	K1478	Hair Pin Cotter / Double Loop	2

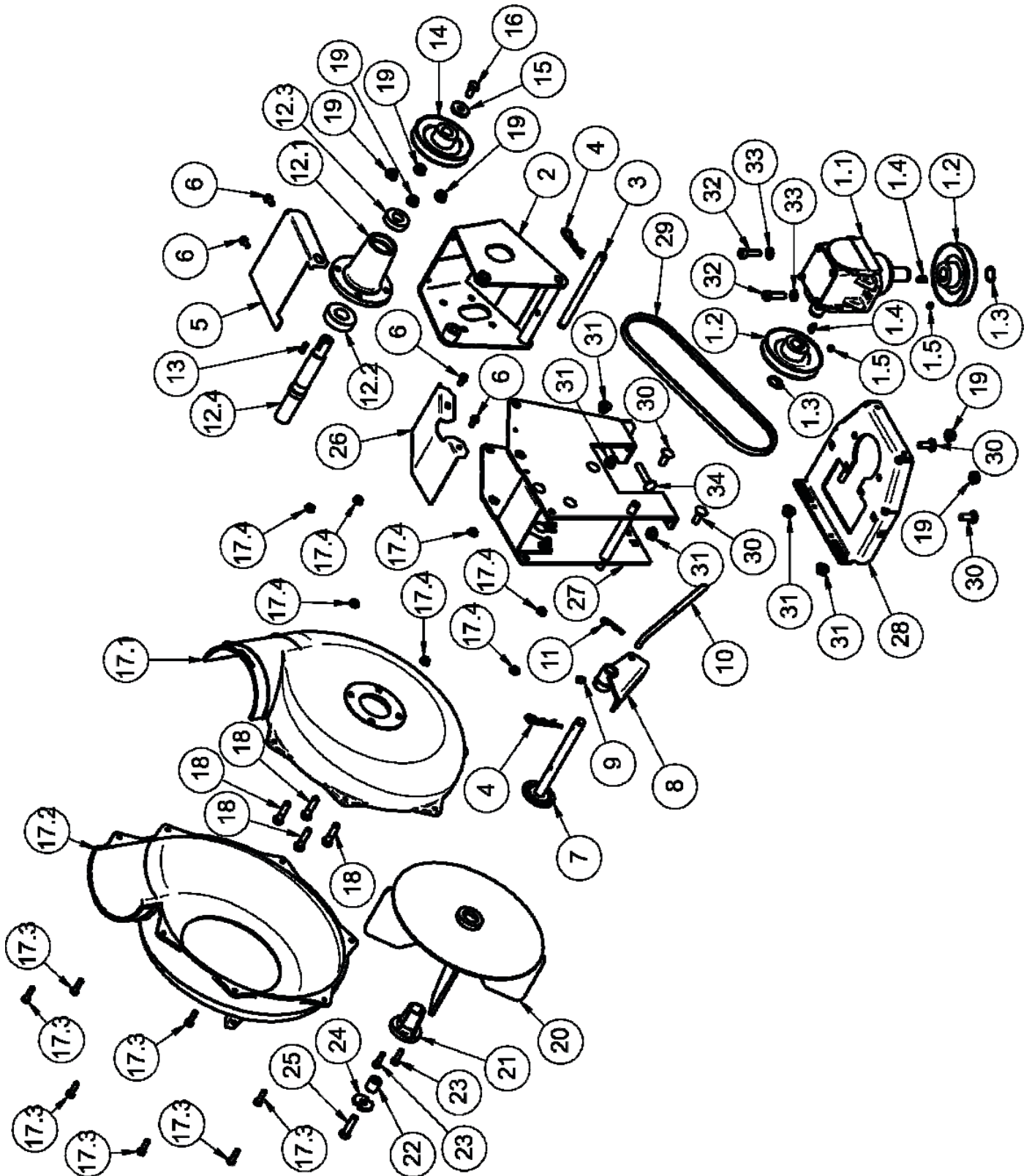


A1841_01 PTO Arm Assembly



Item#	Part#	Desc.	Qty.
1	B0265 01	Right PTO Arm	1
2	B0266 01	Left PTO Arm	1
3	B0268 01	PTO Arm Brace	1
4	B0271 01	PTO Assembly Mount Rod	1
5	B0024 01	Cam Brkt. Stop Adj. Pl.	1
6	K1215	Flange Nut 3/8"-16	2
7	K1197	3/8"-16X21/2" HHCS	1
8	K1182	Carriage Bolt 3/8"-16x1"	5
9	K2038	Ny-Flange Lock Nut 3/8"-16	5

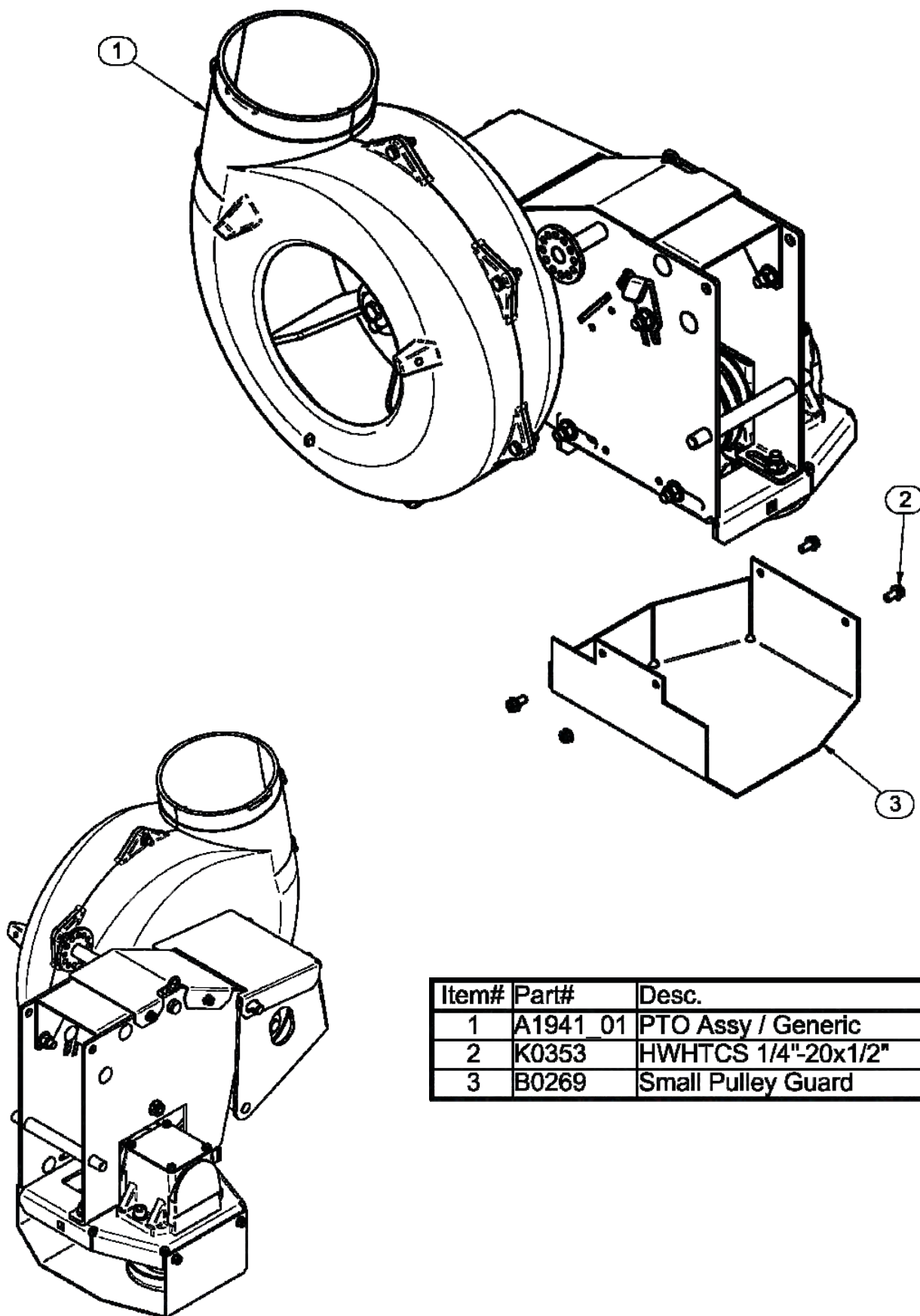
A1941_01 PTO Base Assembly Exploded Parts View



A1941_01 PTO Base Assembly Exploded Parts List

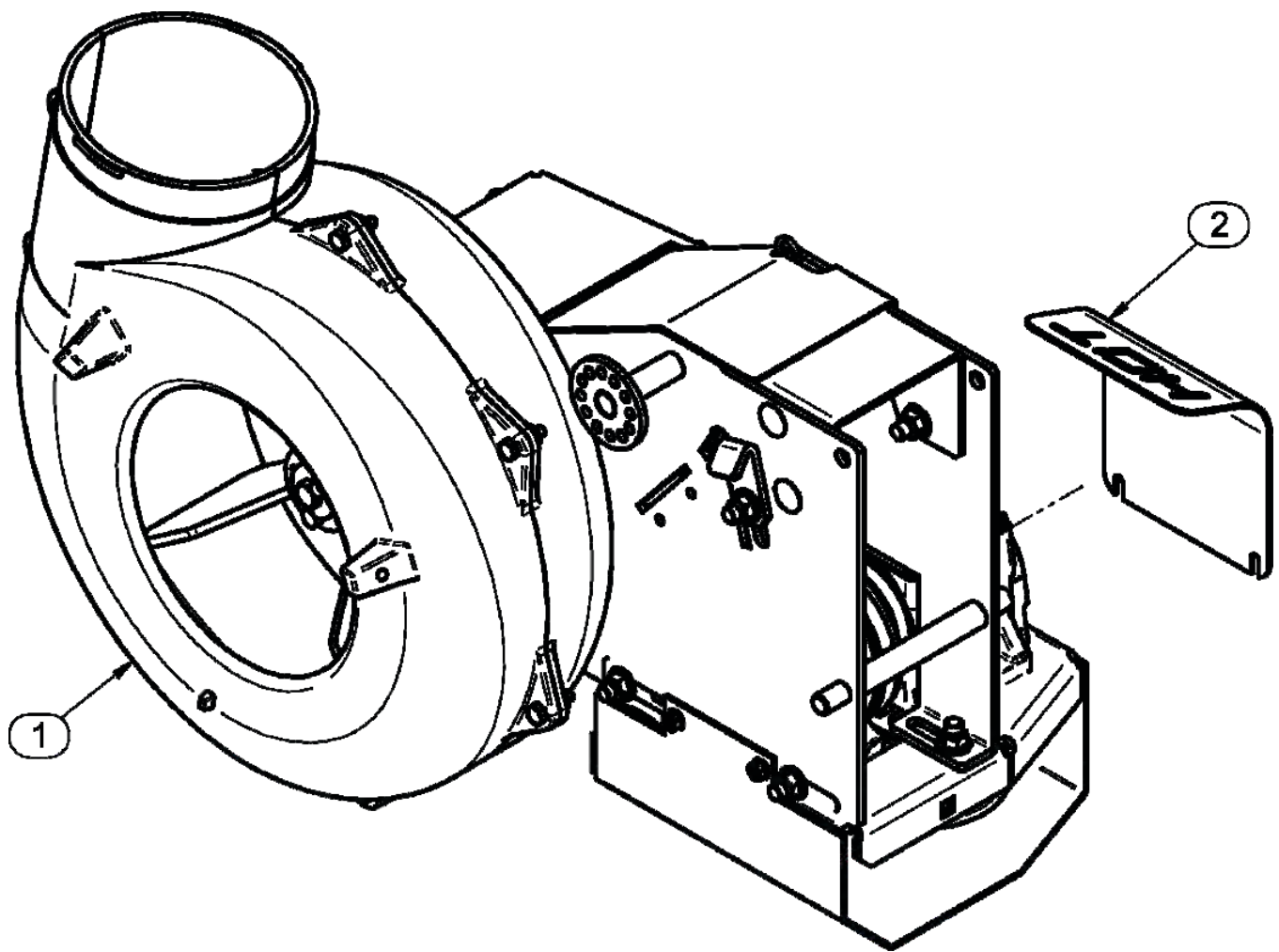
Item#	Part#	Desc.	Qty.
1	A0429	Gear Box Assy.	1
1.1	A0431	Gearbox	1
1.2	A0498	Pulley Assy. / GearBox	2
1.3	K0360	Snap Ring / 7/8"Shaft	2
1.4	J0272	Woodruff Key #9	2
1.5	K0035	Set Screw 5/16" -18x1/4" CupPoint	2
2	A0144	Blower Mnt. Brkt. Assy.	1
3	B1755	BLOWER PIVOT ROD	1
4	K0086	Hair Pin Clip.125ODx2.50	2
5	B0121	Blower Belt Guard	1
6	K0353	HWHTCS 1/4" -20x1/2"	4
7	A0604	PTO HANDLE MOUNT ASSY	1
8	A0422	CAM BRACKET ASSEMBLY	1
9	K0356	3/8"-16 TAPERED SET SCREW	1
10	K0326	BELT TENSION ROD 3/8"-16	1
11	K0130	.091ODx1.625L HAIR PIN CLIP	1
12	A0306	PTO Shaft Assy.	1
12.1	E0121	PTO Shaft Housing	1
12.2	N0147	Bearing (2.0472OD,0.9843ID,0.5906W)	1
12.3	N0148	Bearing (1.625OD,0.750ID,0.4375W)	1
12.4	B1758	PTO Shaft	1
13	J0254	Key / 3/16" x3/16" x3/4"	1
14	M0228	Pulley / Impeller Shaft	1
15	K1446	PTO Housing Washer	1
16	K1190	HHCS / 3/8"-16x3/4"	1
17	E4004A	BLOWER HSG. ASSY.	1
17.1	E4004B	BLOWER HSG. BACK	1
17.2	E4004F	BLOWER HSG. FRONT	1
17.3	K1125	HHCS 1/4" -20X1" GR2	7
17.4	K1126	Flange Nut 1/4" -20	7
18	K1193	HHCS 3/8" -16X1-1/2"GR5	4
19	K1215	Flange Nut 3/8"-16	6
20	A0645	4-Blade Impeller Assy	1
21	S4302	TAPER - LOCK BUSHING	1
22	S3242	Spacer Bushing / .750IDx.380IDx.830L	1
23	K1225	HHCS 1/4" -20X1" GR8	2
24	K0278	Double Indented Washer 7/16"1.375ODx.440IDx.179T	1
25	K1211	3/8"-16x1-1/2"HHCS GR8	1
26	B0270	PTO Arm Guard	1
27	A1804_01	PTO Arm Assembly	1
28	A0624_01	Base Plate Assembly	1
29	M0250	A30K KEVLAR BELT	1
30	K1182	Carriage Bolt 3/8"-16x1"	4
31	K2038	Ny-Flange Lock Nut 3/8"-16	5
32	K0309	3/8"-16x1-1/4"SHCS	2
33	K0048	Lock Washer 3/8"	2
34	K1184	Carriage Bolt 3/8"-16x2"	1

A0623 PTO Assembly w/ Small Pulley Guard Exploded Parts View



Item#	Part#	Desc.	Qty.
1	A1941 01	PTO Assy / Generic	1
2	K0353	HWHTCS 1/4"-20x1/2"	4
3	B0269	Small Pulley Guard	1

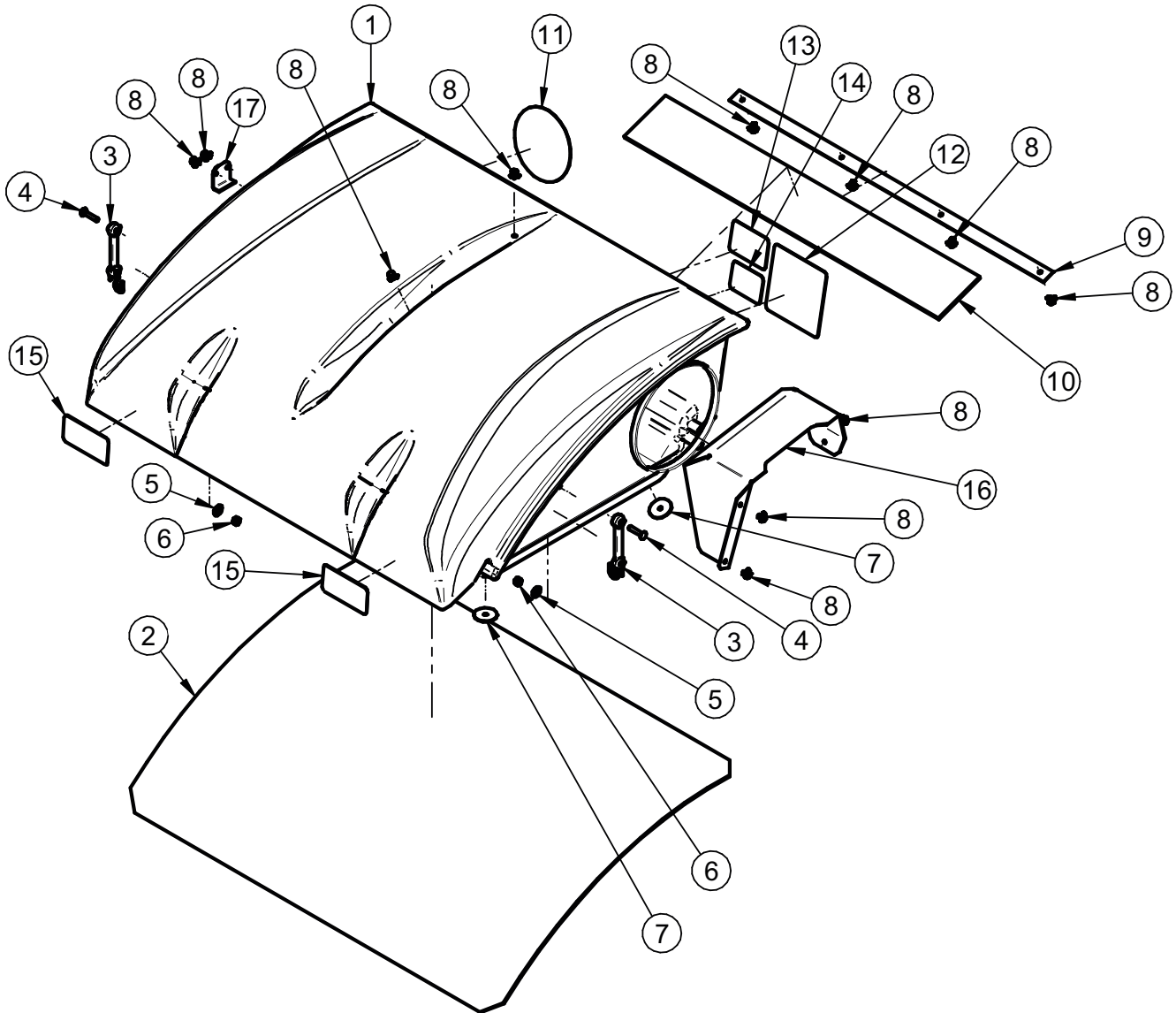
A1950 PTO Assembly w/ Heat Guard Exploded Parts View



Item#	Part#	Description	Qty.	Rev#
1	A0623	PTO Assy / Small Pulley Guard	1	5
2	B0833	Gear Box Heat Guard	1	

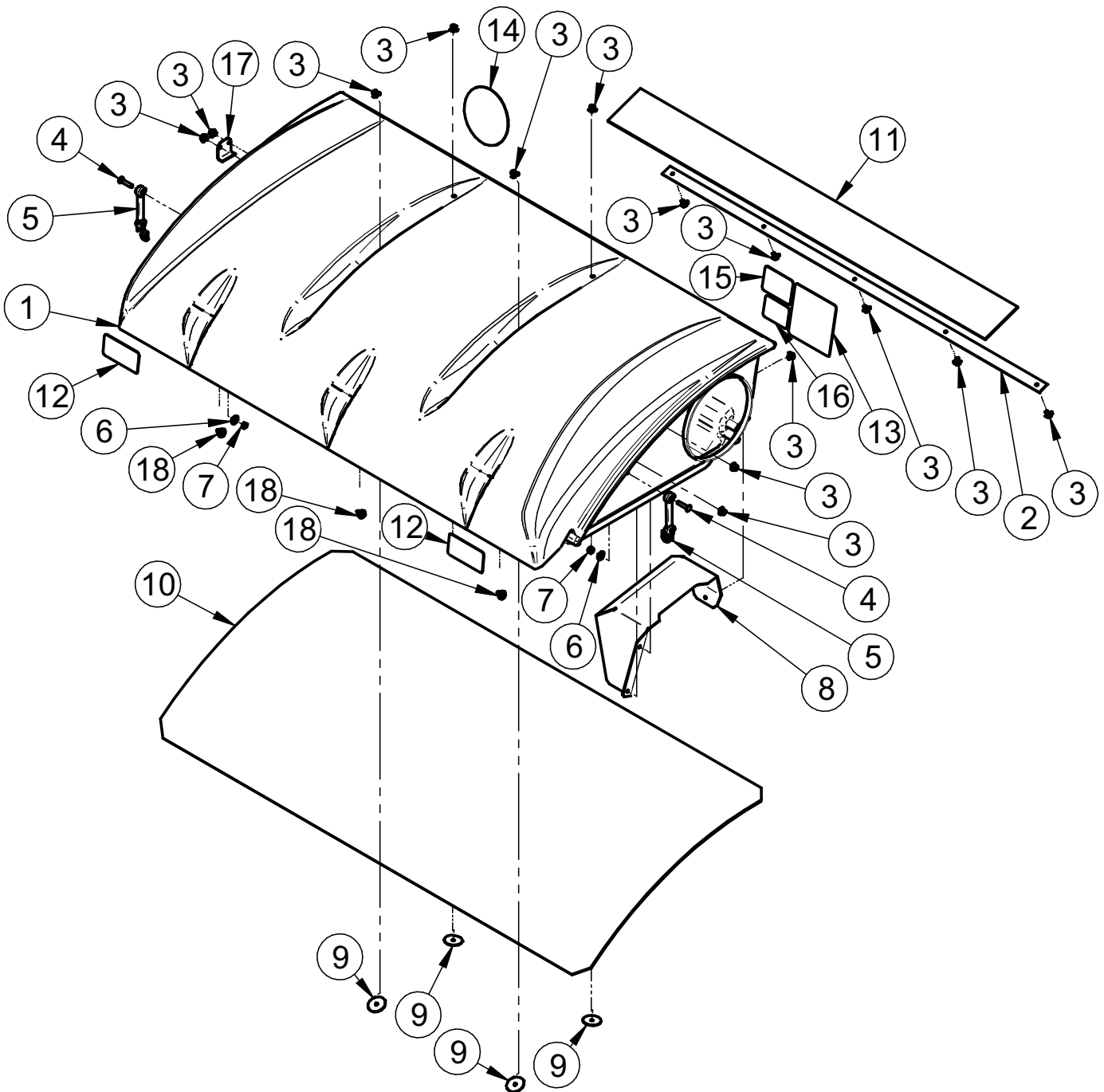
A2101 Top Assembly Exploded Parts View

Item #	Part #	Desc.	Qty.
1	V2000	Pro 2 Bagger Top / Gen. 2	1
2	V2001	Screen	1
3	J4009	Short Rubber Strap w/ S-Hook	2
4	K1030	1/4"-20 x 1-1/4" Carriage Bolt	2
5	K0037	Flat Washer / 1/4" (.75 OD x .312 ID x .060 T)	2
6	K1128	1/4"-20 Nyloc Nut	2
7	K0062	Fender Washer / .230 ID x 1.500 OD / Zinc	2
8	K0114	Black Plastic Rivet	11
9	C0067	Dust Guard Mnt. Brkt.	1
10	V1117	Dust Guard	1
11	R0022	Decal / Built In The USA / Lg	1
12	R1069	Decal / Warning - Turn Off Blower	1
13	R1054	Decal / Important Check Hoses	1
14	R1051	Decal / Warning - Use Hearing Protection	1
15	R1057	Decal / 2" x 4" Red Reflector	2
16	C0026	Grass Deflector	1
17	B0676	Hinge Stop Pl.	1



A1158 Top Assembly Exploded Parts View

Item #	Part #	Desc.	Qty.
1	V0022	Pro 3 Bagger Top	1
2	C0069	Dust Guard Brace	1
3	K0114	Black Plastic Rivet	14
4	K1030	1/4"-20 x 1-1/4" Carriage Bolt	2
5	J4009	Short Rubber Strap w/ S-Hook	2
6	K0037	Flat Washer / 1/4" (.75 OD x .312 ID x .060 T)	2
7	K1128	1/4"-20 Nyloc Nut	2
8	C0026	Grass Deflector	1
9	K0062	Fender Washer / .230 ID x 1.500 OD / Zinc	4
10	V1120	Black Plastic Screen	1
11	V1118	Dust Guard	1
12	R1057	Decal / 2" x 4" Red Reflector	2
13	R1069	Decal / Warning - Turn Off Blower	1
14	R0022	Decal / Built In The USA / Lg	1
15	R1054	Decal / Important Check Hoses	1
16	R1051	Decal / Warning - Use Hearing Protection	1
17	B0676	Hinge Stop Pl.	1
18	K1265	Black Panel Retainer	3



Unit Model #: 38120905 / 07120901

Mower: Dixie Chopper BlackHawk/HP / Jacobsen ZI400 & ZI600

Owner's Manual: Q0515

Mower Type: 2248KW, 2548KOE, 2454KW, 2554BR, 2554KOE, 2460KW, 2560BR & 2560KOE

Deck Size: 48", 54" & 60"

Deck Type: 9 Cubic Foot Pro 2+ Bagger

Drive Type: PTO Drive

Revision #: 1 (Updated Model Fit Year)

Fits Year(s): 2016 - 2018



A2130 Boot Kit

- (1) HB0694 Boot Kit Hardware Bag
- (1) B0988 Boot Plate Assembly
- (1) B0990 Boot Adapter
- (1) E0033A 8" Boot W/ Decal

A2131 Weight Kit

- (4) Y0025 28 lbs Weight
- (1) B0989 Weight Bracket
- (1) HB0695 Weight Kit Hardware Bag

A2216 Mount Kit

- (1) HB0697 Mount Kit Hardware Bag
- (1) B1090 Left Mnt. Plate
- (1) B1092 Right PTO Mnt. Plate
- (1) B1081 Right Mnt. Plate
- (1) B1091 Left PTO Mnt. Plate
- (1) B1084 Rear Mnt. Plate
- (1) F0080 8" x 36" Upper Hose
- (1) M0239 A56K Kevlar Belt
- (1) E6009 8" Blower Cone
- (1) A0626 PTO HANDLE
- (1) A1950 PTO Assembly
- (2) J0080 8" Hose Clamps
- (1) B0736 PTO Stop Plate
- (1) A1950 PTO Assembly

A2132 Vac Kit

- (2) J0060 6" Hose Clamps
- (1) A2101 Top Assy.
- (1) V0025 6" & 7" Plastic Inlet
- (1) F0060 6" x 30" Upper Hose
- (1) HB0683 Vac Kit Hardware Bag
- (2) B0640 Lwr. Mnt. Tubes (29")
- (2) B0227 Bag Ring
- (2) G0002 3.3 Cu. Ft. Collection Bags
- (1) A2047 Upper Frame Assy.

Unit Model #: 38131508 / 07131501

Mower: Dixie Chopper BlackHawk HP / Jacobsen ZI600

Owner's Manual: Q0515

Mower Type: 2248KW, 2548KOE, 2454KW, 2554KOE, 2460KW & 2560KOE

Deck Size: 48", 54" & 60"

Vac Type: 15 Cubic Foot Pro 3 Bagger

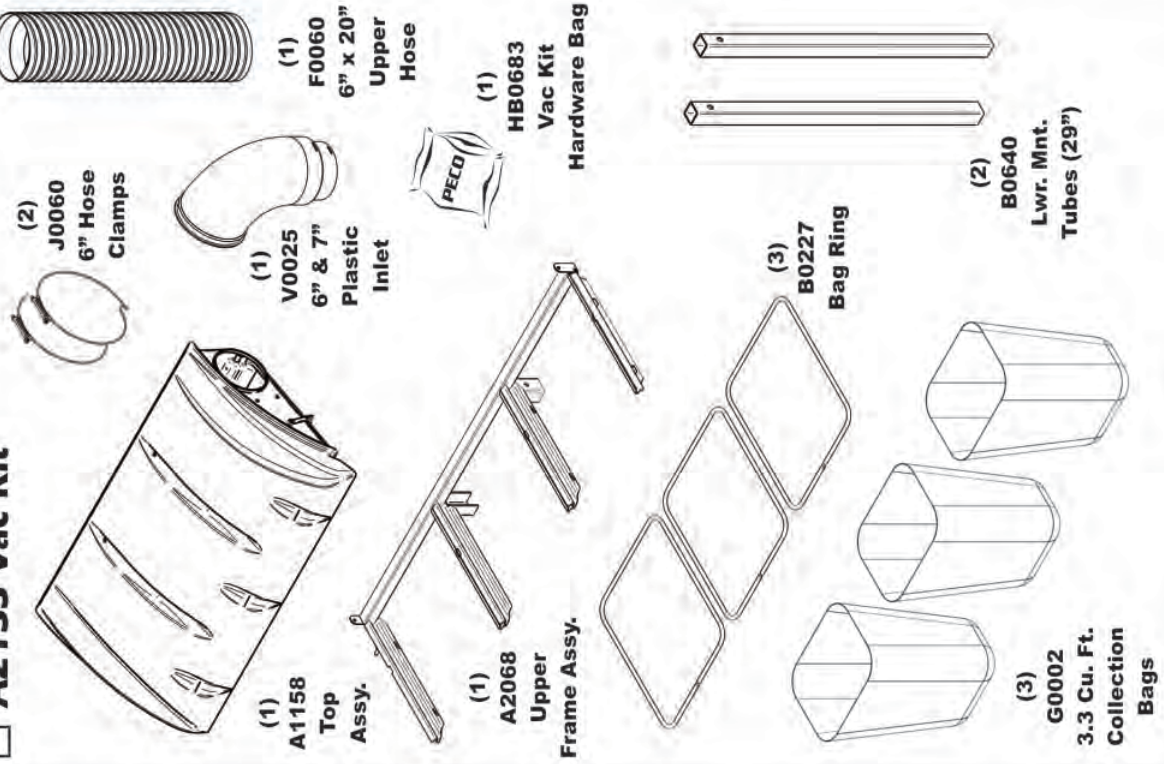
Deck Type:

Drive Type: PTO Drive

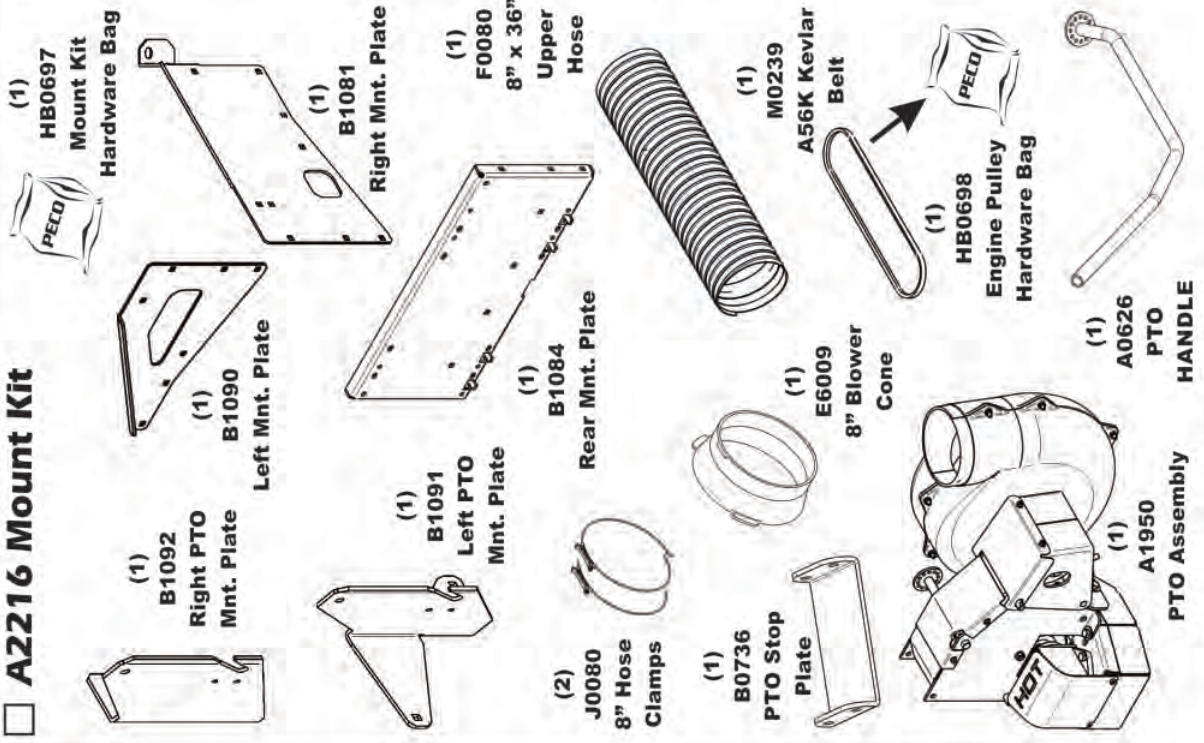
Revision #: 1 (Updated Model Fit Year)

Fits Year(s): 2016 - 2018

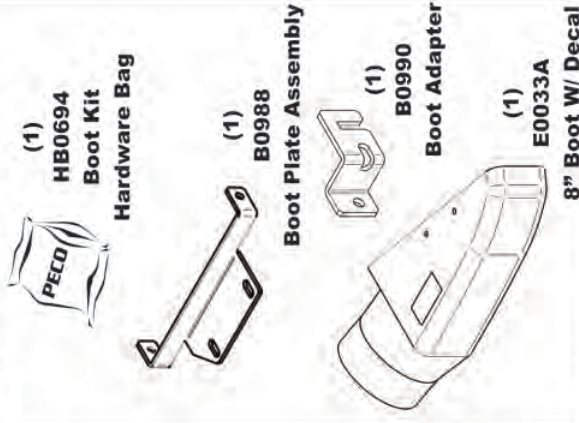
A2133 Vac Kit



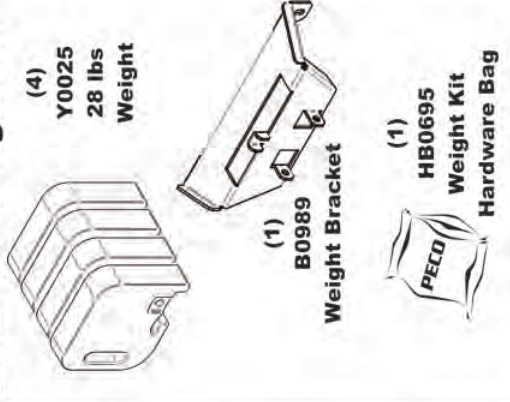
A2216 Mount Kit



A2130 Boot Kit



A2131 Weight Kit



SAFETY DECALS

To promote safe operation, New PECO, Inc. supplies safety decals on all products manufactured. Damage can occur to safety decals either through shipment, use or reconditioning. Contact your local Service Center for replacement decals.



Part# R1070
PECO Logo



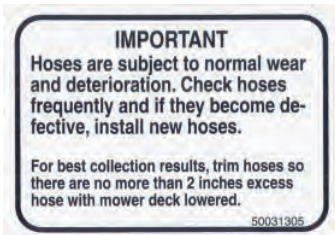
Part# R0022
Designed & Built
In The USA



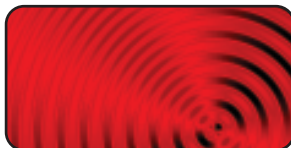
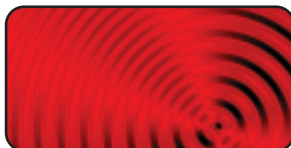
Part #: R2007
Danger - Never Use Hands



Part #: R2008
Danger - Rotating Blades



Part #: R1054
Important - Hose Wear



Part #: R1057 - (2)
Red Reflectors



Part #: R1069
Warning - Turn Off Blower



Part # R0024
Danger - Keep Hands
Clear



Part #: R1051
Warning - Hearing Protection



Part # R0025
Danger - Rotating
Blades

SECTION III OPERATING INSTRUCTIONS

General Safety

Only qualified people familiar with this operator's manual and the mower's operator's manual should operate this machine.

Operation And Tips On Mowing

- A. Perform BEFORE EACH USE the maintenance list referenced in Section IV.
- B. Start mower.
- C. With the mower at high idle speed, engage the mower deck.
- D. While seated in the operator's seat, move Bagger PTO switch to the on position. With the PTO assembly engaged, you can proceed to operate the control levers of the mower.

NOTE: If the collection system does not appear to be collecting the grass clippings, disengage the deck and PTO assembly, then, engage the parking brake and turn the mower off. Check upper and lower hoses for any clogs.

To obtain the maximum effectiveness from your collection system, the tips listed below should be followed:

- * Watch your speed- Normal conditions will allow a speed of up to approximately 4 mph, but thick, heavy damp conditions will require reduced ground speed.
- * Mow with sharp blades- A sharp blade cuts cleaner.
- * Wet grass and leaves will decrease effectiveness and will increase horsepower requirements.
- * Mow at higher cutting heights- Remove and mulch no more than 2" of grass length with each mowing. (Experts recommend not cutting off more than 1/3 of the grass blade length at any given time.)
- * Mow twice, at different height settings, (high, then low), if grass is extra tall.
- * Remember that horsepower requirements will vary with the mowing conditions such as type and height of turf grass, moisture content, amount of leaves, whether the terrain is flat or hilly, etc.

Disengagement Of The PTO Assembly

- A. To disengage the PTO assembly, move Bagger PTO switch to the off position.

WARNING: The PTO assembly blades will continue to spin. DO NOT TOUCH the PTO assembly, pulleys, or the belt until the tractor is turned off. DO NOT adjust the belt tension until the mower is turned off. Refer to the Belt Installation section of the manual.

Unloading The Collection System

NOTE: To determine when the collection bags are full, follow the following steps:

- A. Stop the forward movement of the mower.
- B. Disengage the mower deck.
- C. Disengage the PTO assembly.
- D. Engage the parking brake.
- E. Once the parking brake has been engaged, then and only then, walk behind the mower and check the collection bags by first unhooking the rubber strap with S-hook that secures the plastic top, then lift the plastic hood. Load in bags should not exceed the height of the installed bag.
- F. To remove the bags from the frame, slide bags out and turn bags over to deposit clippings.
- G. Slide empty bags back onto the frame and secure plastic top with the rubber strap with S-hook.

NOTE: Do not allow collection bags to become over-filled as potential damage may occur to your equipment. Also, be sure to clean the hood screen as needed.

SECTION IV MAINTENANCE

Maintenance Checklist

Before each use:

1. Check blades and spindles to be sure that no foreign objects, such as wire or steel strapping bands, are wrapped around them.
2. Inspect blades for wear. Replace if necessary. If it is necessary to sharpen the blades, remove the blades from the spindles before sharpening. DO NOT sharpen blades while still attached to the mower.

3. Make sure all shields are in place and in good condition. Repair or replace any missing or damaged shields.
4. Perform lubrication per instructions.
5. Listen for abnormal sounds, which might indicate loose parts, damaged bearings, or other damage. Correct any deficiency before continuing operation.
6. With the engine off, engage the blower assembly. Check the belt tension and inspect the pulley belt for cracks or tears.
7. Check for wear or deterioration of the upper or lower hoses. If there are any portions of the hose that have been torn or worn through, replace immediately.

After Each Use:

1. Clean all debris from machine especially from the container, underneath the belt shields, and safety decals. Replace any missing or illegible decals.
2. Inspect the unit for worn or damaged components. Repair or replace before the next use. Any replacement component installed during repair shall include the component's current safety decal specified by the manufacturers to be affixed to the component.
3. Under normal usage, the bag material is subject to deterioration and wear and should therefore be frequently checked for necessary replacement. Any replacement bag should be checked to ensure compliance with the original manufacturer's recommendations or specifications.
4. Check belt for proper tension.

4-2 Lubrication

Gearbox:

NOTE: The gearbox is filled with 6.0 oz. of Mobilube HD Plus 80W-90 oil and permanently sealed. There is no need for scheduled lubrication. The oil level should only be checked if a leak is observed or if a change in gearbox noise is noticed.

Operators are recommended to check for leaks weekly. If a leak is observed, both the gasket and the seals are recommended to be replaced.

Replace the oil using 5.5 oz. of the recommended Mobilube HD Plus 80W-90 oil. Be sure to not overfill.

Blower Assembly:

NOTE: The following is for older PTO models that contain a greaseable zirc fitting. Newer models contain maintenance-free bearings and are without a greasable fitting.

1. On initial use: Grease the fitting on the blower shaft.
2. Every 25 hours of use: Re-grease the grease fitting.

NOTE: Use only white lithium based grease for lubrication of the shaft on the blower assembly.

SECTION V - PARTS & SERVICE

5-1 Parts And Service Information

Collection system owners should record the name and telephone number of their Service Center. Your Service Center will be happy to supply replacement parts, accessories, and do any service or repairs to your collection system. If for any reason your Service Center is unable to service your collection system or supply replacement parts, contact New PECO, Inc. and include the following information on the chart below.

DOCUMENT THE FOLLOWING INFORMATION FOR FUTURE REFERENCE

Unit Model Number: _____

Unit Engine Size: _____

Unit Serial Number: _____

Date of purchase: ____ / ____ / ____

Dealer/Distributor Name: _____

Address: _____ **State:** _____ **Zip:** _____

Phone Number: _____

New PECO, Inc.

10 Walden Dr | Arden, North Carolina 28704

Phone: 1-800-438-5823 | 828-684-1234

Fax: 828-684-0858

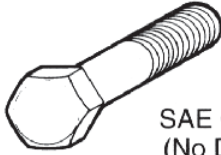
Email: peco@lawnvac.com

Website: www.lawnvac.com

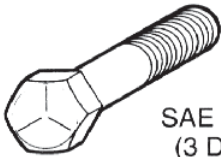
TORQUE SPECIFICATIONS

Proper torque for American fasteners used on Peco equipment.
Recommended Torque in Foot Pounds (Newton Meters).*

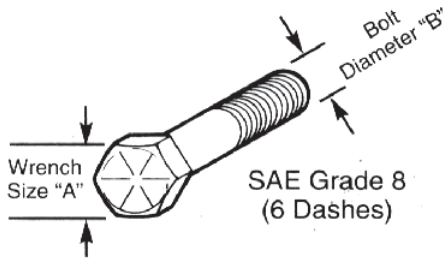
AMERICAN Bolt Head Markings



SAE Grade 2
(No Dashes)



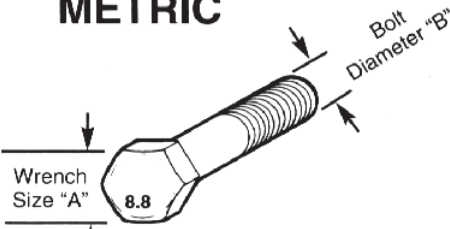
SAE Grade 5
(3 Dashes)



SAE Grade 8
(6 Dashes)

WRENCH SIZE (IN.) "A"	BOLT DIAMETER (IN.) "B" AND THREAD SIZE	SAE GRADE 2	SAE GRADE 5	SAE GRADE 8
7/16	1/4 - 20 UNC	6 (7)	8 (11)	12 (16)
7/16	1/4 - 28 UNF	6 (8)	10 (13)	14 (18)
1/2	5/16 - 18 UNC	11 (15)	17 (23)	25 (33)
1/2	5/16 - 24 UNF	13 (17)	19 (26)	27 (37)
9/16	3/8 - 16 UNC	20 (27)	31 (42)	44 (60)
9/16	3/8 - 24 UNF	23 (31)	35 (47)	49 (66)
5/8	7/16 - 14 UNC	32 (43)	49 (66)	70 (95)
5/8	7/16 - 20 UNF	36 (49)	55 (75)	78 (106)
3/4	1/2 - 13 UNC	49 (66)	76 (103)	106 (144)
3/4	1/2 - 20 UNF	55 (75)	85 (115)	120 (163)
7/8	9/16 - 12 UNC	70 (95)	109 (148)	153 (207)
7/8	9/16 - 18 UNF	79 (107)	122 (165)	172 (233)
15/16	5/8 - 11 UNC	97 (131)	150 (203)	212 (287)
15/16	5/8 - 18 UNF	110 (149)	170 (230)	240 (325)
1-1/8	3/4 - 10 UNC	144 (195)	266 (360)	376 (509)
1-1/8	3/4 - 16 UNF	192 (260)	297 (402)	420 (569)
1-5/16	7/8 - 9 UNC	166 (225)	430 (583)	606 (821)
1-5/16	7/8 - 14 UNF	184 (249)	474 (642)	668 (905)
1-1/2	1 - 8 UNC	250 (339)	644 (873)	909 (1232)
1-1/2	1 - 12 UNF	274 (371)	705 (955)	995 (1348)
1-1/2	1 - 14 UNF	280 (379)	721 (977)	1019 (1381)
1-11/16	1-1/8 - 7 UNC	354 (480)	795 (1077)	1288(1745)
1-11/16	1-1/8 - 12 UNF	397 (538)	890 (1206)	1444 (1957)
1-7/8	1-1/4 - 7 UNC	500 (678)	1120 (1518)	1817 (2462)
1-7/8	1-1/4 - 12 UNF	553 (749)	1241 (1682)	2013 (2728)
2-1/16	1-3/8 - 6 UNC	655 (887)	1470 (1992)	2382 (3228)
2-1/16	1-3/8 - 12 UNF	746 (1011)	1672 (2266)	2712 (3675)
2-1/4	1-1/2 - 6 UNC	870 (1179)	1950 (2642)	3161 (4283)
2-1/4	1-1/2 - 12 UNF	979 (1327)	2194 (2973)	3557 (4820)

METRIC



Numbers appearing on bolt heads indicate ASTM class.

Proper torque for metric fasteners used on Peco equipment.
Recommended torque in foot pounds (newton Meters).*

WRENCH SIZE (mm) "A"	BOLT DIA. (mm) "B"	ASTM 4.6	ASTM 8.8	ASTM 9.8	ASTM 10.9
8	5	1.8 (2.4)		5.1 (6.9)	6.5 (8.8)
10	6	3 (4)		8.7 (12)	11.1 (15)
13	8	7.3 (10)		21.1 (29)	27 (37)
16	10	14.5 (20)		42 (57)	53 (72)
18	12	25 (34)	74 (100)	73 (99)	93 (126)
21	14	40 (54)	118 (160)	116 (157)	148 (201)
24	16	62 (84)	167 (226)	181 (245)	230 (312)
30	20	122 (165)	325 (440)		449 (608)
33	22		443 (600)		611 (828)
36	24	211 (286)	563 (763)		778 (1054)
41	27		821 (1112)		1138 (1542)
46	30	418 (566)	1119 (1516)		1547 (2096)

*Use 75% of the specified torque value for plated fasteners. Use 85% of the specified torque values for lubricated fasteners.

Troubleshooting

2017 (v1.0)

Collection System Performance

Problem	Possible Cause	Corrective Action
Abnormal Vibration	<ul style="list-style-type: none"> • Cutting blades are bent or unbalanced • Loose blower pulley or pulley assembly • Impeller blade out of balance 	<ul style="list-style-type: none"> • Install new cutting blade • Tighten the pulley • Contact dealer to replace
Reduced collection system performance	<ul style="list-style-type: none"> • Low engine speed • Plugged screen • Loose belt • Full collection bags 	<ul style="list-style-type: none"> • Always operate collection system at full throttle • Remove debris, leaves, or grass clippings from the screen • Replace/tighten belt • Empty the collection bags
Blower and hoses plugging too frequently	<ul style="list-style-type: none"> • Collection bags are too full • Low engine speed • Grass is too wet • Grass is too long • Ground speed is too fast • Worn belt • Loose belt 	<ul style="list-style-type: none"> • Dump more frequently • Always operate collection system at full throttle • Cut grass when it is dry • Cut the grass several times • Drive slower at full throttle • Replace belt • Adjust the pulley and tighten belts
Debris blowout	<ul style="list-style-type: none"> • Collection bags are too full • Plug/clog in the collection system • Ground speed is too fast 	<ul style="list-style-type: none"> • Dump more frequently • Clean the collection system • Drive more slowly at full throttle
Impeller doesn't rotate freely	<ul style="list-style-type: none"> • Plug in the blower housing • Worn impeller blade • Shaft bearings bad/failing 	<ul style="list-style-type: none"> • Clean the blower housing • Contact dealer to replace • Contact dealer to replace



New PECO, Inc.

10 Walden Dr | Arden, North Carolina 28704

Phone: 1-800-438-5823 | 828-684-1234

Fax: 828-684-0858

Email: peco@lawnvac.com

Website: www.lawnvac.com